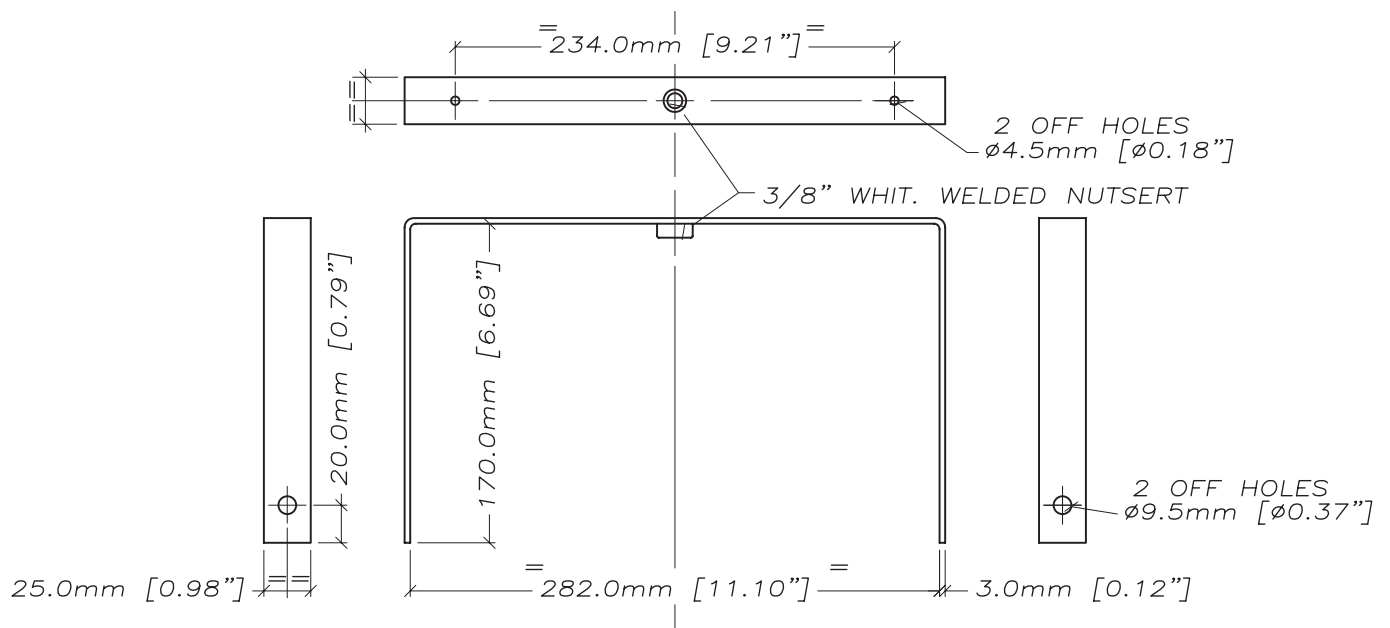


HTKWT15

Flying Yoke – WT15

hardware



SUPPLIED HARDWARE: 2 OFF 3/8" WHIT. x 1/2" CAP HEAD SOCKET SCREWS
2 OFF 3/8" SHAKEPROOF WASHERS

HTKWT15
TO FIT LOUDSPEAKER WT15

Century Point, Halifax Road, Cressex Business Park,
High Wycombe, Buckinghamshire HP12 3SL, England.
Telephone: +44 (0)1494 535312 Facsimile: +44 (0)1494 438669
E-mail: info@martin-audio.com
All information is Copyright © 2003 Martin Audio Ltd.



www.martin-audio.com