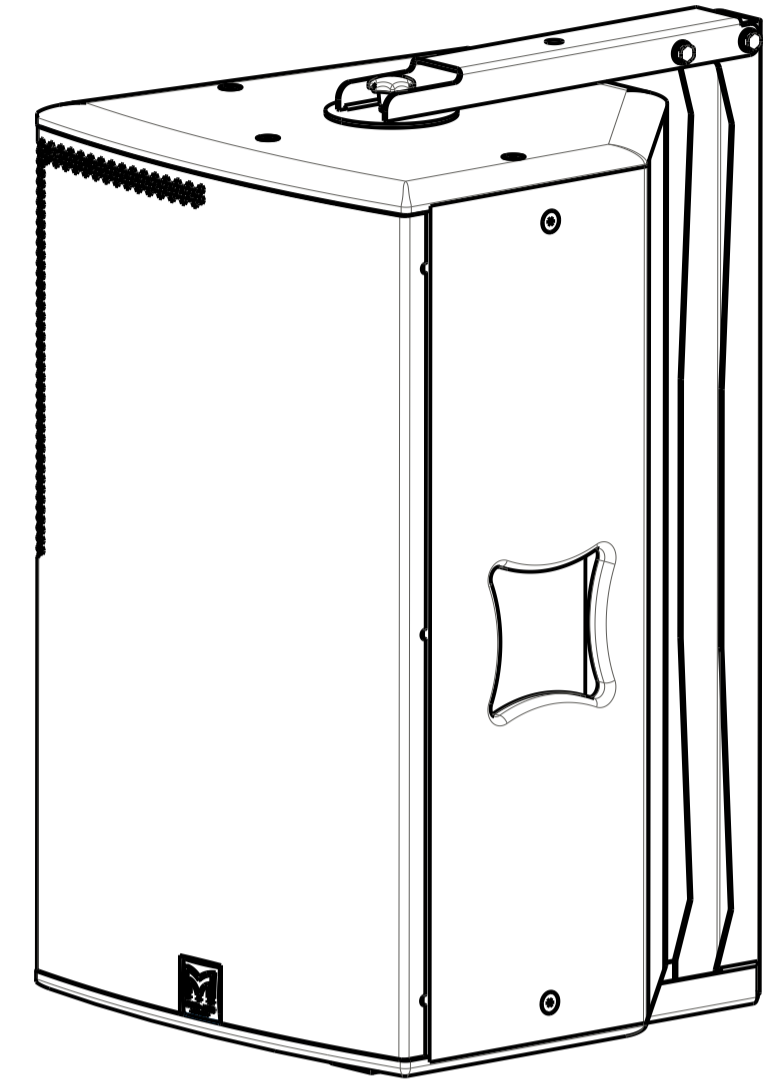
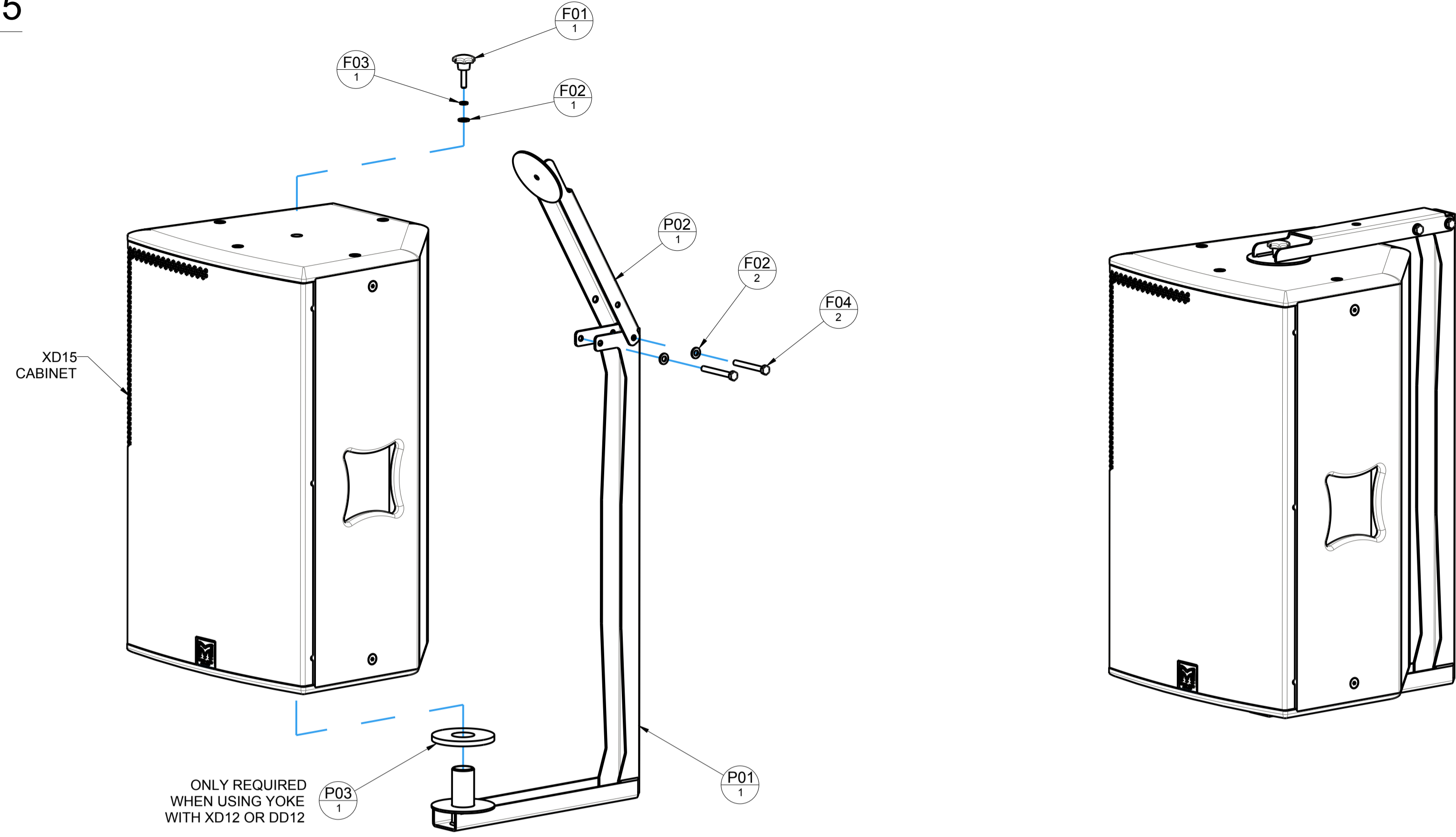


ISSUE No.	MODIFICATIONS.	ECN No.	APPRD BY.
A00	APPROVED FOR PRODUCTION RELEASE	N/A	BH

XD15



**** IMPORTANT ****

THIS YOKE ASSEMBLY CAN BE SAFELY USED IN THE FOLLOWING ORIENTATIONS:

- SUSPENDED FROM THE CEILING OR SCAFFOLDING TRUSS
- SECURED TO WALL WITH CABINET IN THE PORTRAIT ORIENTATION

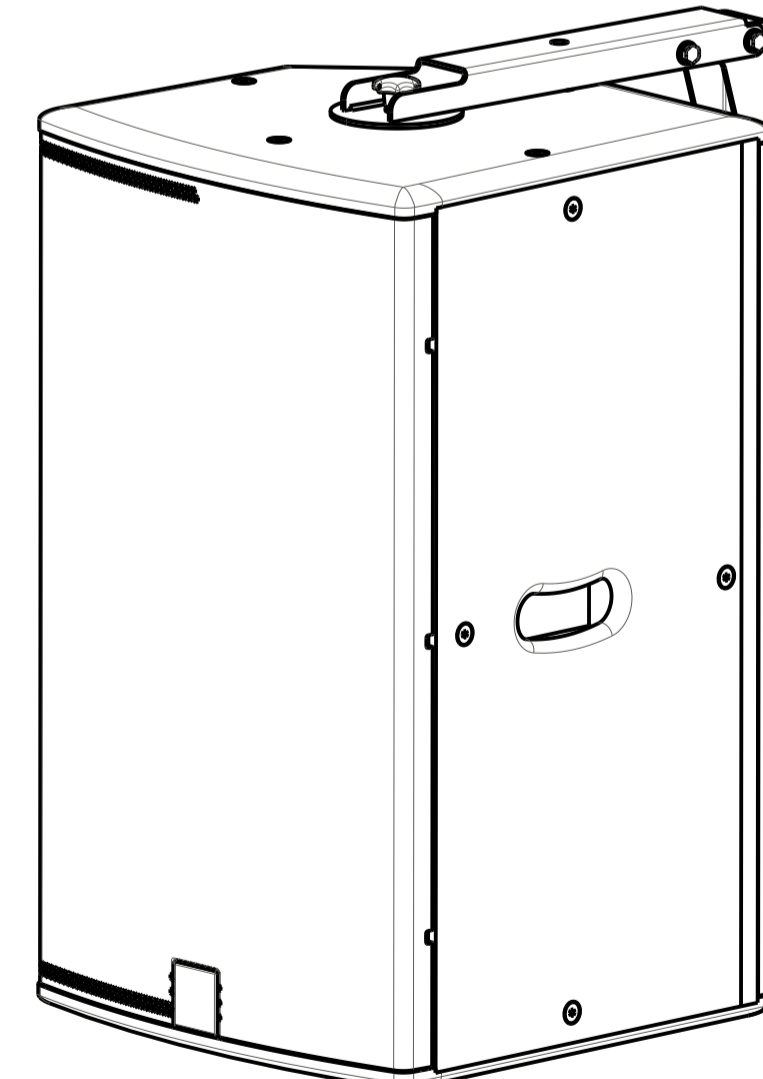
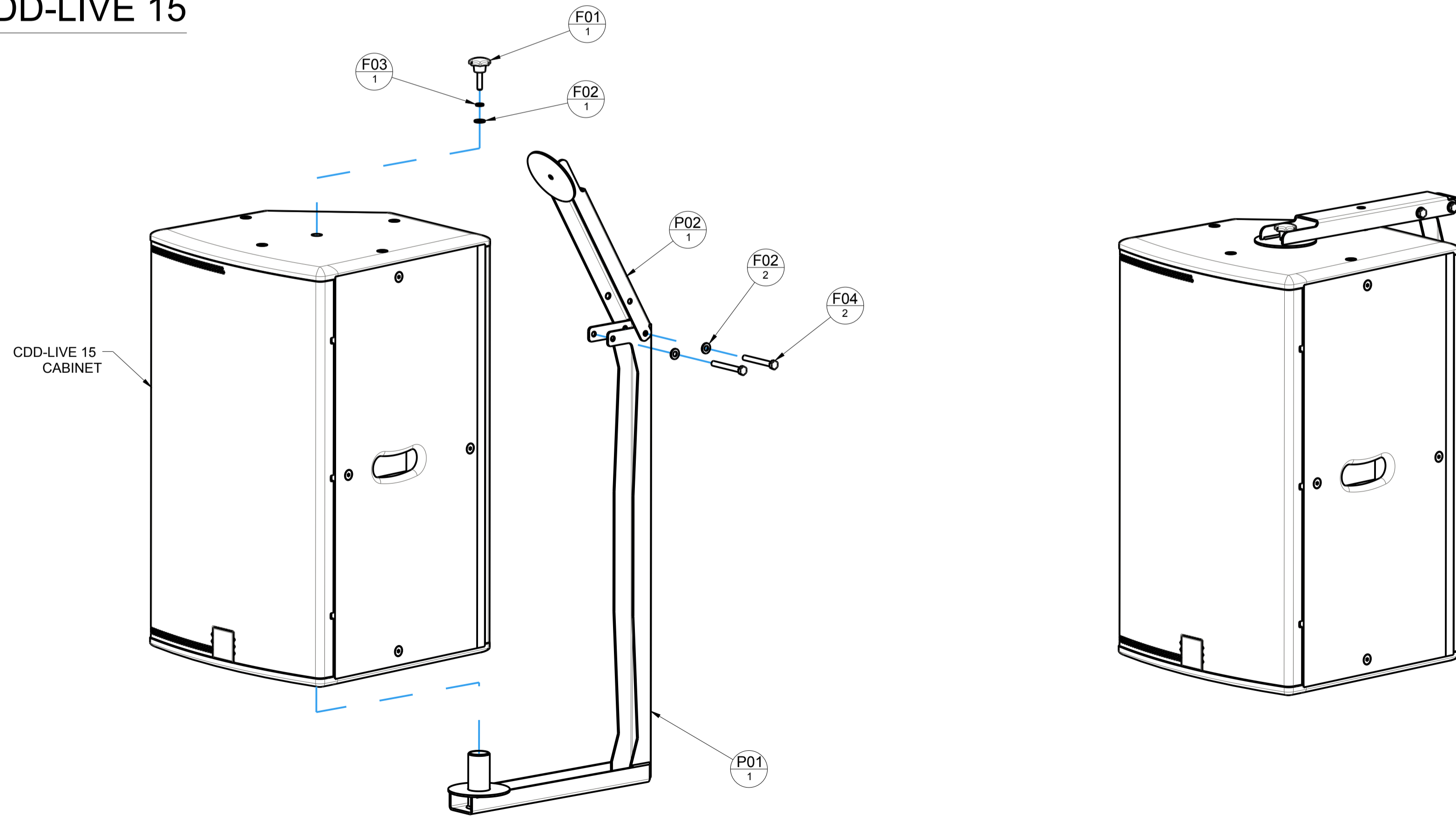
THIS YOKE MUST 'NOT' BE USED IN THE FOLLOWING ORIENTATION:

- SECURED TO WALL WITH CABINET IN THE LANDSCAPE ORIENTATION

NOTES:

- THE FOLLOWING ITEMS ARE SUPPLIED SEPARATELY IN A POLYBAG:
 - F01 - M8 HANDWHEEL (1 OFF)
 - F02 - M8 PLAIN WASHER (1 OFF)
 - F03 - M8 SPRING WASHER (1 OFF)
 - F05 - M8X40 HEX SCREW (1 OFF)
- ITEM F05 - M8X40 HEX SCREW TO BE USED INSTEAD OF ITEM F01 - M8 HANDWHEEL FOR APPLICATIONS THAT REQUIRE INCREASED TORQUE AND CABINET STABILITY
- ITEM P03 - RUBBER SPACER SHOULD BE USED WHEN THE YOKE IS USED WITH THE XD15 CABINET. THE SPACER IS NOT REQUIRED WHEN THE YOKE IS USED WITH THE CDD-LIVE 15 CABINET

CDD-LIVE 15



XD15 / CDD-LIVE 15 YOKE ASSEMBLY				
ITEM	PART No.	DESCRIPTION	QTY	U/M
P01	HAM08047	XD15 / CDD-LIVE 15 YOKE - BOTTOM FRAME	1	EA
P02	HAM09189	XD15 YOKE - TOP FRAME	1	EA
P03	GRT00260	RUBBER SPACER XD YOKE BRACKETS	1	EA
F01	FAX00016	HANDWHEEL Ø40 M8X30 MALE STUD MOSS 462061	1	EA
F02	FAZ08001	WSHR M8 PLAIN A2 SS BLK PX3	3	EA
F03	FAZ080	WSHR M8 SPRING A2 SS BLK PX3	1	EA
F04	FAA08023	SCR MACH M8X70 HEX 12.9 HTS BLK DELTA PROTECT	2	EA
F05	FAA08024	SCR MACH M8X40 HEX 12.9 HTS BLK DELTA PROTECT	1	EA

© COPYRIGHT MARTIN AUDIO LTD.

Century Point
Halifax Road
Cresssex Business Park
High Wycombe, Bucks HP12 3SL
TEL +44(0)1494 535312
FAX +44(0)1494 438669
e-mail: ben@martin-audio.com

3RD ANGLE PROJECTION

ALL DIMENSIONS IN mm.

TOLERANCES UNLESS OTHERWISE STATED :-
 WHOLE NUMBERS ± 0.5mm.
 1 DECIMAL PLACE ± 0.2mm.
 2 DECIMAL PLACE ± 0.1mm.
 ANGLES :- ± 0.5°.
 HOLE DIA :- ± 0.05mm.

TITLE:
CDDLYA15 YOKE ASSEMBLY

DRAWN BH DATE 24-Aug-2016 DRAWING No. CDDLYA15 ISSUE A00