

AQ5

Ultra-compact, wide angle system

features

- ▶ Very wide 120° x 60° dispersion
- ▶ 4 ohms or 16 ohms (low profile switch on rear)
- ▶ Dual 5.25" (130mm) ICT™
- ▶ Light weight structural foam enclosure
- ▶ Discreet, architecturally friendly styling
- ▶ 1st & 2nd fix wall and ceiling brackets available

applications

- ▶ Clubs, bars and restaurants
- ▶ Theatres
- ▶ Exhibition centres
- ▶ AV presentations



The ultra-compact Martin Audio AQ5 is equipped with two 5.25" (130mm) ICT™ (Inductively Coupled Transducer) drivers optimally splayed for smooth, very wide coverage. The AQ5's HF diaphragms are driven via inductive coupling, avoiding the tweeter burn-out commonly associated with miniature loudspeakers. ICT™ technology also obviates the need for a crossover as the inductive coupling provides a complementary transfer function for the tweeter.

Designed for discreet architectural use, the exceptionally wide coverage of the AQ5 makes it ideal for clubs, bars, AV presentations, places of worship, museums, foyers, sports venue concourses and exhibition centres. The AQ5 may also be used for very wide coverage live sound applications such as theatre front fills, orchestra pit fills and surround sound effects.

The AQ5 is housed in a thick-walled structural ABS foam enclosure with a flush, acoustically transparent steel grille. The enclosure is fitted with four M6 inserts for fitting either AQWB6 or AQCB6 brackets to allow for horizontal or vertical mounting, plus an additional M6 insert for a safety point.

A Martin Audio AQX Electronic Controller is available to provide AQ5/subwoofer crossover, limiter and trim functions.

Century Point, Halifax Road, Cressex Business Park,
High Wycombe, Buckinghamshire HP12 3SL, England.
Telephone: +44 (0)1494 535312 Facsimile: +44 (0)1494 438669
E-mail: info@martin-audio.com
All information is Copyright © 2013 Martin Audio Ltd.



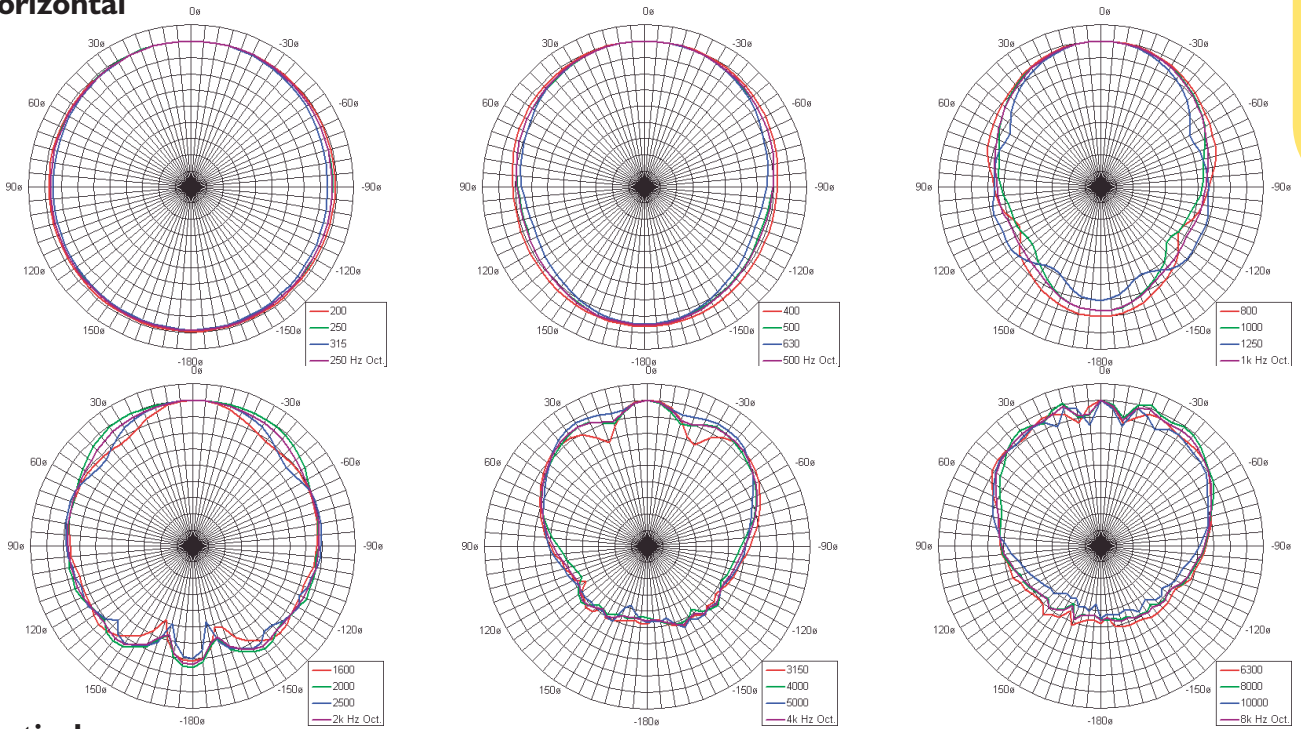
AQ5

Ultra-compact, wide angle system

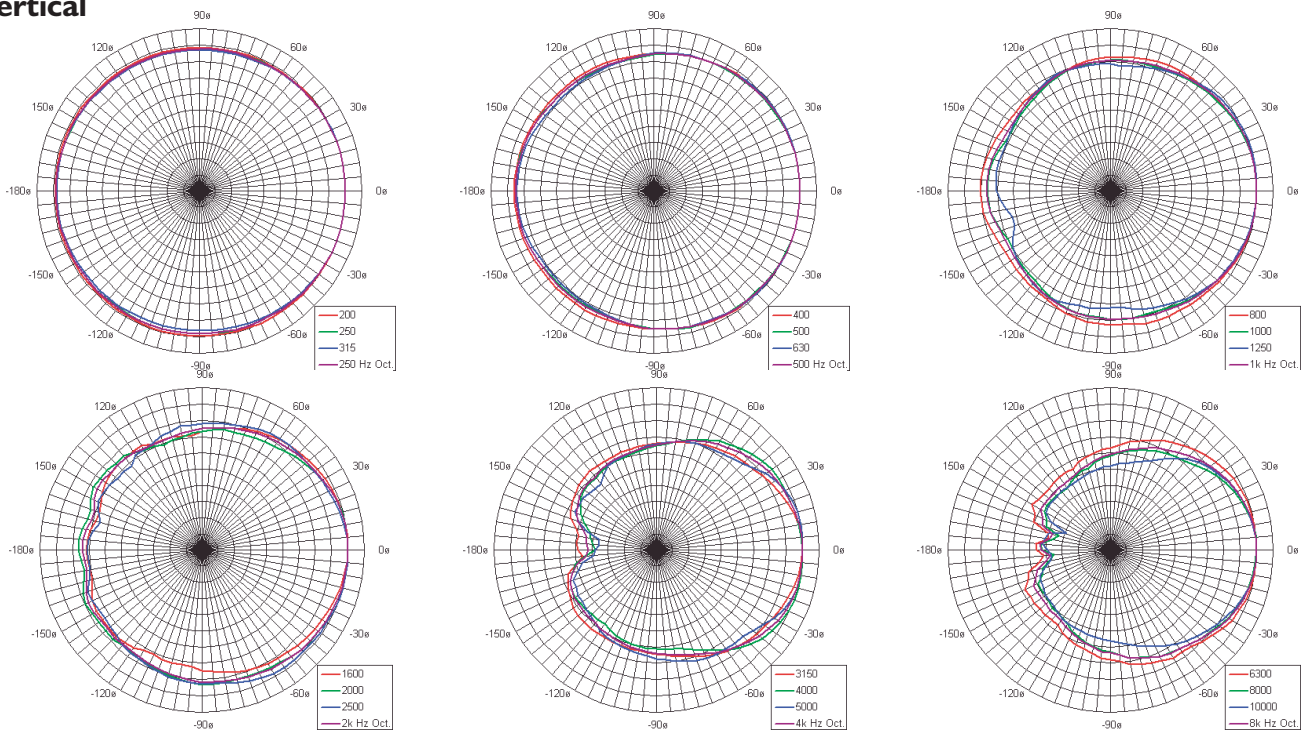
polar plots - 1/3rd 8ve, 6dB/div

architectural

Horizontal



Vertical



Century Point, Halifax Road, Cressex Business Park,
High Wycombe, Buckinghamshire HP12 3SL, England.
Telephone: +44 (0)1494 535312 Facsimile: +44 (0)1494 438669
E-mail: info@martin-audio.com
All information is Copyright © 2013 Martin Audio Ltd.



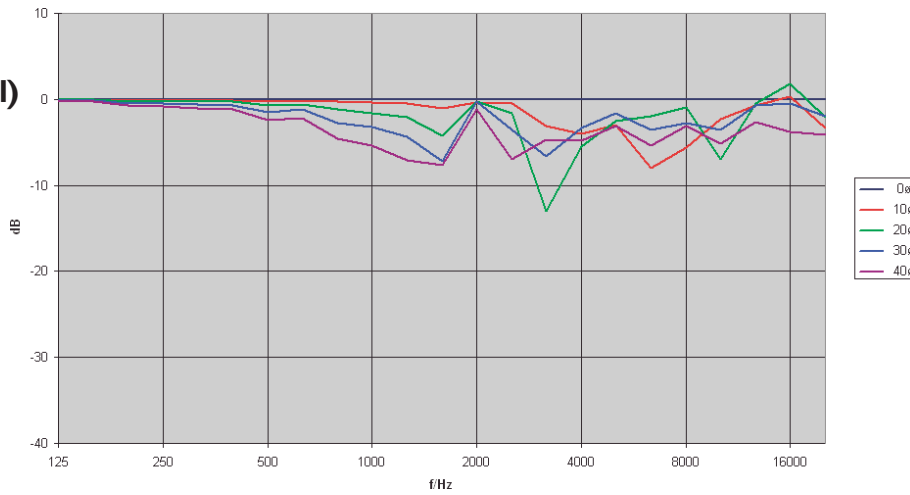
AQ5

Ultra-compact, wide angle system

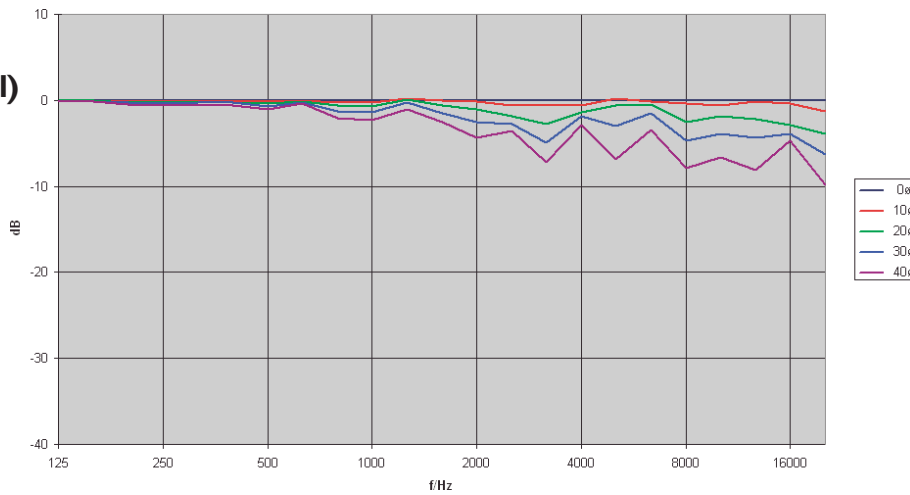
frequency responses

architectural

Horizontal (symmetrical)



Vertical (symmetrical)



Century Point, Halifax Road, Cressex Business Park,
High Wycombe, Buckinghamshire HP12 3SL, England.
Telephone: +44 (0)1494 535312 Facsimile: +44 (0)1494 438669
E-mail: info@martin-audio.com
All information is Copyright © 2013 Martin Audio Ltd.

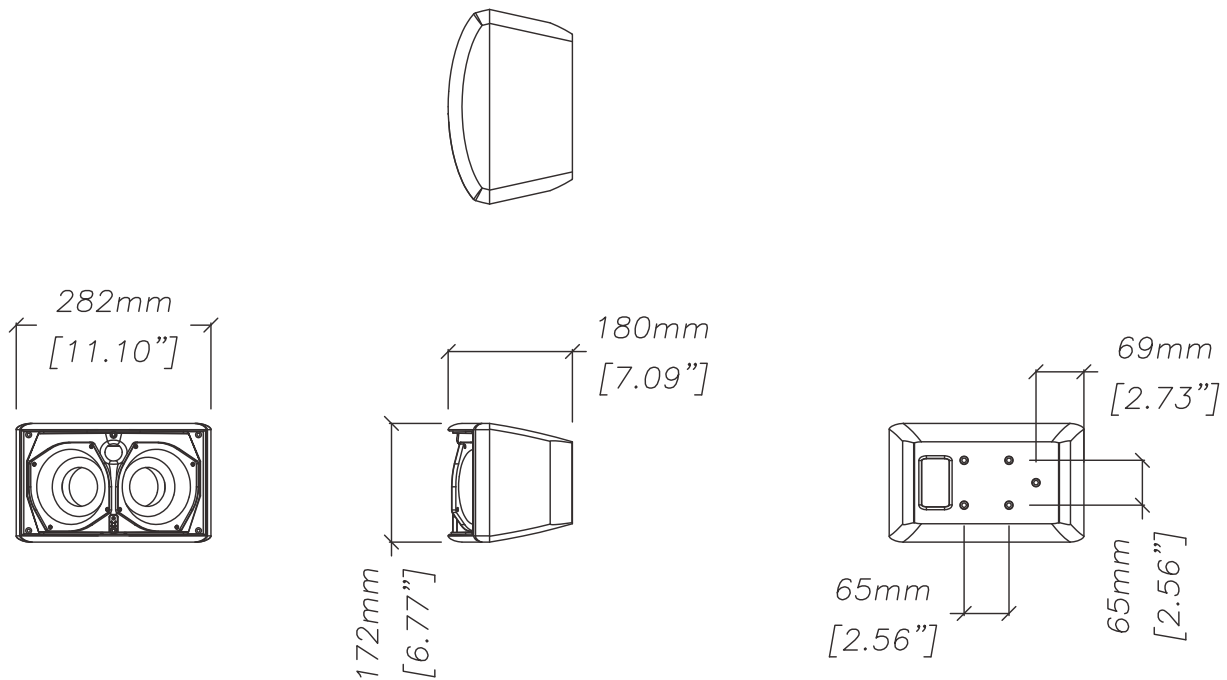


AQ5

Ultra-compact, wide angle system

overall dimensions

architectural



AQ5

Century Point, Halifax Road, Cressex Business Park,
High Wycombe, Buckinghamshire HP12 3SL, England.
Telephone: +44 (0)1494 535312 Facsimile: +44 (0)1494 438669
E-mail: info@martin-audio.com
All information is Copyright © 2013 Martin Audio Ltd.



AQ5

Ultra-compact, wide angle system

technical specifications

TYPE	Ultra-compact, Dual ICT™, wide dispersion vented trapezoid
FREQUENCY RESPONSE (5)	120Hz-20kHz ± 3dB
DRIVERS	2 x 5.25" (130mm) ICT™ full-range drivers
RATED POWER (2)	75W AES, 300W peak
RECOMMENDED AMPLIFIER	MA2.8Q
SENSITIVITY (6)	91dB
MAXIMUM SPL (9)	109dB continuous, 115dB peak
NOMINAL IMPEDANCE	Externally switchable 4 or 16 ohms
DISPERSION (-6dB)	120° horizontal, 60° vertical
CROSSOVER	ICT™
ENCLOSURE	5 litre, structural foamed ABS
FINISH	Textured light grey paint
PROTECTIVE GRILLE	Light grey perforated steel
CONNECTORS	Low profile 12 amp push-lock
FITTINGS	4 x M6 inserts for bracket 1 x M6 insert for safety point
OPTIONS	30W 100/70V line transformer
DIMENSIONS	(W) 282mm x (H) 172mm x (D) 180mm (W) 11.1ins x (H) 6.8ins x (D) 7.1ins
WEIGHT	3.5kg (8lbs)

accessories

AQWB6	Wall Bracket
AQCB6	Ceiling Bracket

architectural and engineering specifications

The loudspeaker system shall be of the two-way passive type consisting of two 5.25" (130mm) full-range ICT™ drivers each fitted with a concentric 1" (25mm) high frequency diaphragm, loaded by a phase plug and waveguide. The transducers shall be mounted in a reflex loaded enclosure constructed of structural foamed ABS and fitted with threaded inserts to match the mounting hardware. 4 or 16 ohm operation shall be selected by a switch at the rear of the enclosure.

Performance of the loudspeaker system with its electronic controller shall meet or exceed the following criteria:

Frequency response measured 1 metre on axis shall be 120Hz-20kHz ± 3dB.

High frequency dispersion at -6dB points shall be 120° H x 60° V.

Power handling shall be 75W AES, 300W peak.

Rated impedance shall be 4 ohms (16 ohms switchable).

Maximum SPL calculated at 1 metre on axis shall be 109dB continuous, 115dB peak.

Dimensions (W) 282mm x (H) 172mm x (D) 180mm (11.1ins x 6.8ins x 7.1ins).

Weight 3.5kg (8lbs).

The loudspeaker system shall be the Martin Audio AQ5.

Notes

- (1) Measured on-axis in half space at 2 metres, then referred to 1 metre.
- (2) AES Standard ANSI S4.26-1984.
- (3) Measured in half space at 2 metres with 1 watt input, using band limited pink noise, then referred to 1 metre.
- (4) Measured in half space at 2 metres using band limited pink noise, then referred to 1 metre.
- (5) Measured on-axis in open (4π) space at 2 metres, then referred to 1 metre.
- (6) Measured in open (4π) space at 2 metres with 1 watt input, using band limited pink noise, then referred to 1 metre.
- (7) Measured in open (4π) space at 2 metres using band limited pink noise, then referred to 1 metre.
- (8) Measured in open (4π) space at 2 metres with 2.83V input, using band limited pink noise, then referred to 1 metre.
- (9) Calculated at 1 metre.

Trade Descriptions Act

Due to Martin Audio's policy of continuing improvement, we reserve the right to alter these specifications without prior notice. Martin Audio is committed to refining state of the art sound reinforcement, combining in-depth product and field applications research with advanced manufacturing techniques. Every Martin Audio product is built to the highest manufacturing standards and rigorously tested to ensure that it meets the performance criteria specified in the design.

Century Point, Halifax Road, Cressex Business Park,
High Wycombe, Buckinghamshire HP12 3SL, England.
Telephone: +44 (0)1494 535312 Facsimile: +44 (0)1494 438669
E-mail: info@martin-audio.com
All information is Copyright © 2014 Martin Audio Ltd.

