

CS10

Ceiling mounted, subwoofer

features

- ▶ Ceiling mounted subwoofer
- ▶ Fire retardant enclosure
- ▶ 115dB continuous max SPL
- ▶ 32hz-150hz @ -10dB
- ▶ Very secure 3 point fixing
- ▶ Efficient ported design

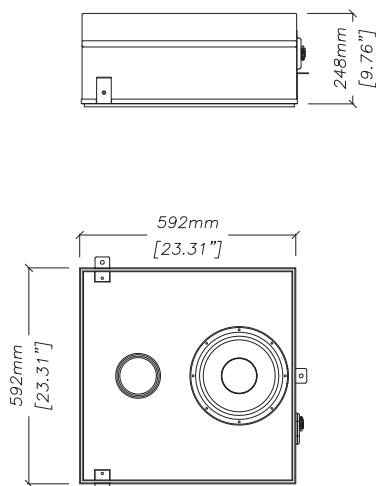
applications

- ▶ Ceiling mounted subwoofer
- ▶ Bars and restaurants

The CS10 is a self-contained subwoofer, utilising a 10" (250mm) low frequency driver, designed specifically to be mounted above a suspended ceiling replacing one 600mm x 600mm tile. The enclosure is made from fire retardant MDF and the grille is perforated steel, painted RAL9010 white with a 20% gloss finish to blend in with most white suspended ceilings.

The subwoofer is fixed conveniently via 3 (for easy levelling) brackets, which wrap around the front of the enclosure. These brackets will accept either eyebolts, or 10mm threaded rod which is anchored into the structure above. One of brackets bolts directly to the bass unit adding further to the safety of the installation in case of fire.

overall dimensions



CS10



technical specifications

TYPE	Ceiling mounted, sub-woofer, vented enclosure
FREQUENCY RESPONSE (1)	48Hz-150Hz ± 3dB -10dB @ 32Hz
DRIVERS	10" (250mm) bass driver
RATED POWER (2)	200W AES, 800W peak
SENSITIVITY (3)	94dB
MAXIMUM SPL (4)	115dB continuous, 121dB peak
NOMINAL IMPEDANCE	8 ohms
DISPERSION (-6dB)	180° conical
CROSSOVER	120Hz active
ENCLOSURE	Fire retardant MDF
FINISH	Grille – white RAL9010 with 20% gloss Overpaintable
PROTECTIVE GRILLE	Perforated steel
CONNECTORS	Rising clamp plug and socket
OPTIONS	Passive low pass filter, 150W 70/100V line transformer
VOLTAGE TAPS	100V – 150W, 75W 70V – 150W, 75W, 37W
DIMENSIONS	(W) 592mm x (H) 592mm x (D) 248mm (W) 23.1ins x (H) 23.1ins x (D) 9.8ins
WEIGHT	15.5kg (34.2lbs)

Century Point, Halifax Road, Cressex Business Park,
High Wycombe, Buckinghamshire HP12 3SL, England.
Telephone: +44 (0)1494 535312 Facsimile: +44 (0)1494 438669
E-mail: info@martin-audio.com
All information is Copyright © 2005 Martin Audio Ltd.

