

Blackline S218⁺

Dual driver, vented sub-bass system

features

- ▶ Dual direct radiating 18" (460mm) drivers
- ▶ High temperature 4" (100mm) voice coil
- ▶ Fitted with handles and castors
- ▶ Five year limited warranty

applications

- ▶ Large scale club performance
- ▶ Large club installs



professional

The powerful **Blackline S218⁺** sub-bass system has been designed to be used with large scale Blackline F12⁺ and F15⁺ systems to extend and increase the total low frequency output power. It can also be used as the low frequency section of a bi-amped or tri-amped H3⁺ system. The S218⁺ provides good bass punch with extended sub-bass output from two new, long-excursion, 18" (460mm)/4" (100mm) voice coil drivers with water resistant cones and triple roll surrounds.

The birch ply cabinet features large area porting to reduce air noise and is fitted with substantial handles and four 4" (100mm) castors for easy deployment. Lid clips for an optional lid are also fitted as standard.

The S218⁺ must be electronically crossed over with the M3⁺, DX1.5 or equivalent Electronic Controller.

Century Point, Halifax Road, Cressex Business Park,
High Wycombe, Buckinghamshire HP12 3SL, England.
Telephone: +44 (0)1494 535312 Facsimile: +44 (0)1494 438669
E-mail: info@martin-audio.com
All information is Copyright © 2013 Martin Audio Ltd.

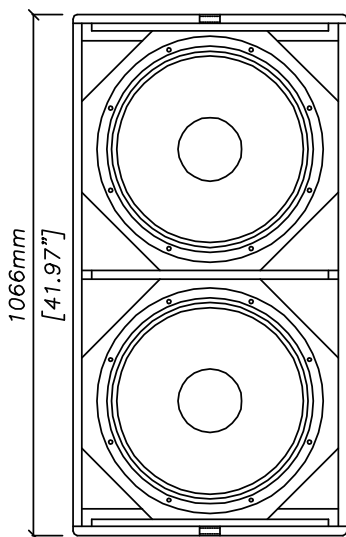
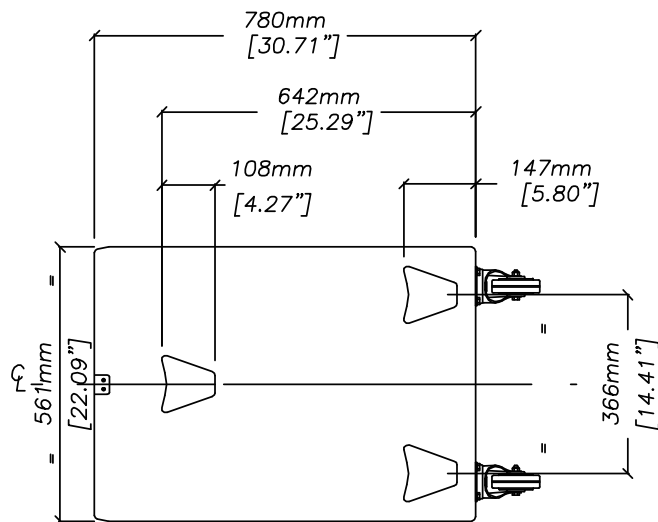


Blackline S218⁺

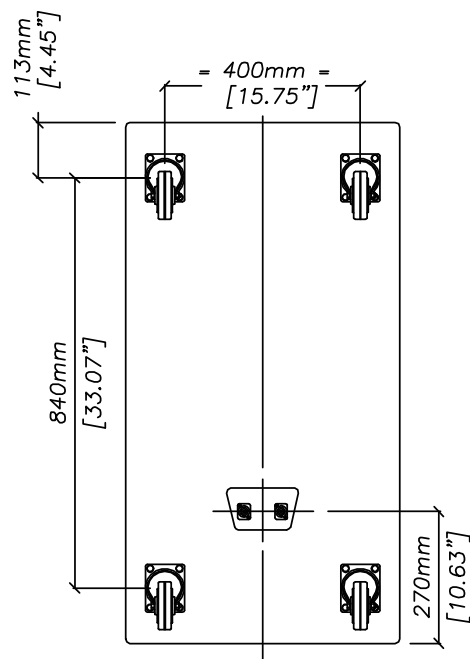
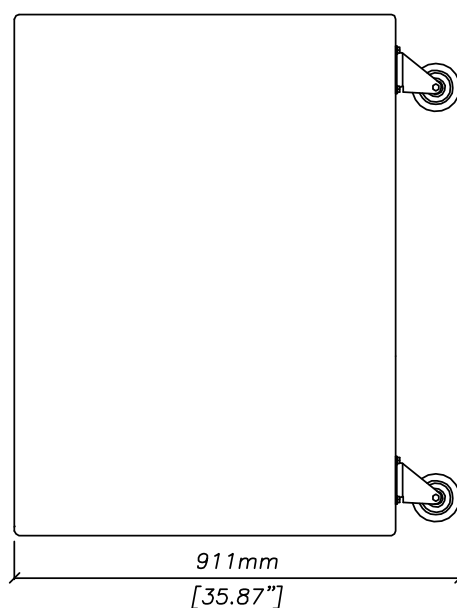
Dual driver, vented sub-bass system

overall dimensions

professional



ALL DETAIL TYPICAL TO BOTH ENDS



All information is Copyright © 2007 Martin Audio Ltd.

S218+

Century Point, Halifax Road, Cressex Business Park,
High Wycombe, Buckinghamshire HP12 3SL, England.
Telephone: +44 (0)1494 535312 Facsimile: +44 (0)1494 438669
E-mail: info@martin-audio.com
All information is Copyright © 2013 Martin Audio Ltd.



Blackline S218⁺

Dual driver, vented sub-bass system

professional

technical specifications

TYPE	Dual-driver, vented sub-bass system
FREQUENCY RESPONSE (1)	35Hz-150Hz \pm 3dB -10dB @ 28Hz
DRIVERS	2 x 18" (460mm)/4" (100mm) voice coil LF drivers
RATED POWER (2)	1500W AES, 6000W peak
RECOMMENDED AMPLIFIER	iK42
SENSITIVITY (3)	105dB (half space)
MAXIMUM SPL (9)	136.5dB continuous, 142.5dB peak (half space)
NOMINAL IMPEDANCE	4 ohms
DISPERSION (-6dB)	
CROSSOVER	80-150Hz active
ENCLOSURE	320 litre, multi-laminate birch ply
FINISH	Textured black paint
PROTECTIVE GRILLE	Black perforated steel
CONNECTORS	2 x Neutrik NL4
PIN CONNECTIONS	LF+, - : 1+, 1- and 2+, 2-
FITTINGS	4 x 4" (100mm) castors 6 x pocket handles 2 x lid clips
DIMENSIONS (inc wheels)	(W) 561mm x (H) 1066mm x (D) 780mm (911mm) (W) 22.1ins x (H) 42ins x (D) 30.7ins (35.9ins)
WEIGHT	87kg (191.5lbs)

architectural and engineering specifications

The loudspeaker system shall be of the dual-driver vented sub-bass type consisting of two 18" (460mm)/4" (100mm) voice coil direct radiating low frequency transducers, reflex loaded in a multi-laminate birch ply enclosure fitted with pocket handles and 4" (100mm) castors for easy deployment.

Performance of the loudspeaker system with its electronic controller shall meet or exceed the following criteria:

Frequency response measured 1 metre on axis shall be 35Hz-150Hz \pm 3dB.

Power handling shall be 1500W AES, 6000W peak.

Rated impedance shall be 4 ohms.

Maximum SPL calculated at 1 metre on axis shall be 136.5dB continuous, 142.5dB peak (half space).

Dimensions (W) 561mm x (H) 1066mm x (D) 780mm (22.1ins x 42ins x 30.7ins).

Weight 87kg (191.5lbs).

The loudspeaker system shall be the Martin Audio S218⁺.

Notes

- (1) Measured on-axis in half space at 2 metres, then referred to 1 metre.
- (2) AES Standard ANSI S4.26-1984.
- (3) Measured in half space at 2 metres with 1 watt input, using band limited pink noise, then referred to 1 metre.
- (4) Measured in half space at 2 metres using band limited pink noise, then referred to 1 metre.
- (5) Measured on-axis in open (4 π) space at 2 metres, then referred to 1 metre.
- (6) Measured in open (4 π) space at 2 metres with 1 watt input, using band limited pink noise, then referred to 1 metre.
- (7) Measured in open (4 π) space at 2 metres using band limited pink noise, then referred to 1 metre.
- (8) Measured in open (4 π) space at 2 metres with 2.83V input, using band limited pink noise, then referred to 1 metre.
- (9) Calculated at 1 metre.

Trade Descriptions Act

Due to Martin Audio's policy of continuing improvement, we reserve the right to alter these specifications without prior notice. Martin Audio is committed to refining state of the art sound reinforcement, combining in-depth product and field applications research with advanced manufacturing techniques. Every Martin Audio product is built to the highest manufacturing standards and rigorously tested to ensure that it meets the performance criteria specified in the design.

Century Point, Halifax Road, Cressex Business Park,
High Wycombe, Buckinghamshire HP12 3SL, England.
Telephone: +44 (0)1494 535312 Facsimile: +44 (0)1494 438669
E-mail: info@martin-audio.com
All information is Copyright © 2013 Martin Audio Ltd.

