

# Blackline M3<sup>+</sup>

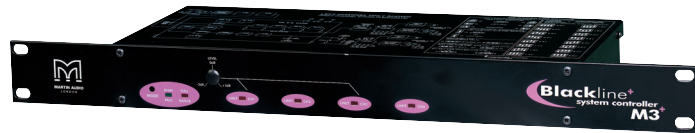
Electronic controller

## features

- ▶ Dedicated Blackline<sup>+</sup> Series controller
- ▶ Two-way stereo operation
- ▶ Plug-in Blackline<sup>+</sup> system-specific card
- ▶ Advanced limiter design
- ▶ 19" 1U standard rackmount

## applications

- ▶ Control of Blackline<sup>+</sup> Series loudspeakers
- ▶ Live and fixed installation use



professional

The M3<sup>+</sup> is a versatile system controller, housed in a single rack unit, which has been specifically designed to enhance the performance of the Blackline range of loudspeakers. The M3<sup>+</sup> controller provides active crossover, EQ and limiter functions for the bi-amped H3T<sup>+</sup>, H3<sup>+</sup> and H3H<sup>+</sup> as well as various Blackline<sup>+</sup> sub-bass/full-range combinations.

Century Point, Halifax Road, Cressex Business Park,  
High Wycombe, Buckinghamshire HP12 3SL, England.  
Telephone: +44 (0)1494 535312 Facsimile: +44 (0)1494 438669  
E-mail: [info@martin-audio.com](mailto:info@martin-audio.com)  
All information is Copyright © 2008 Martin Audio Ltd.

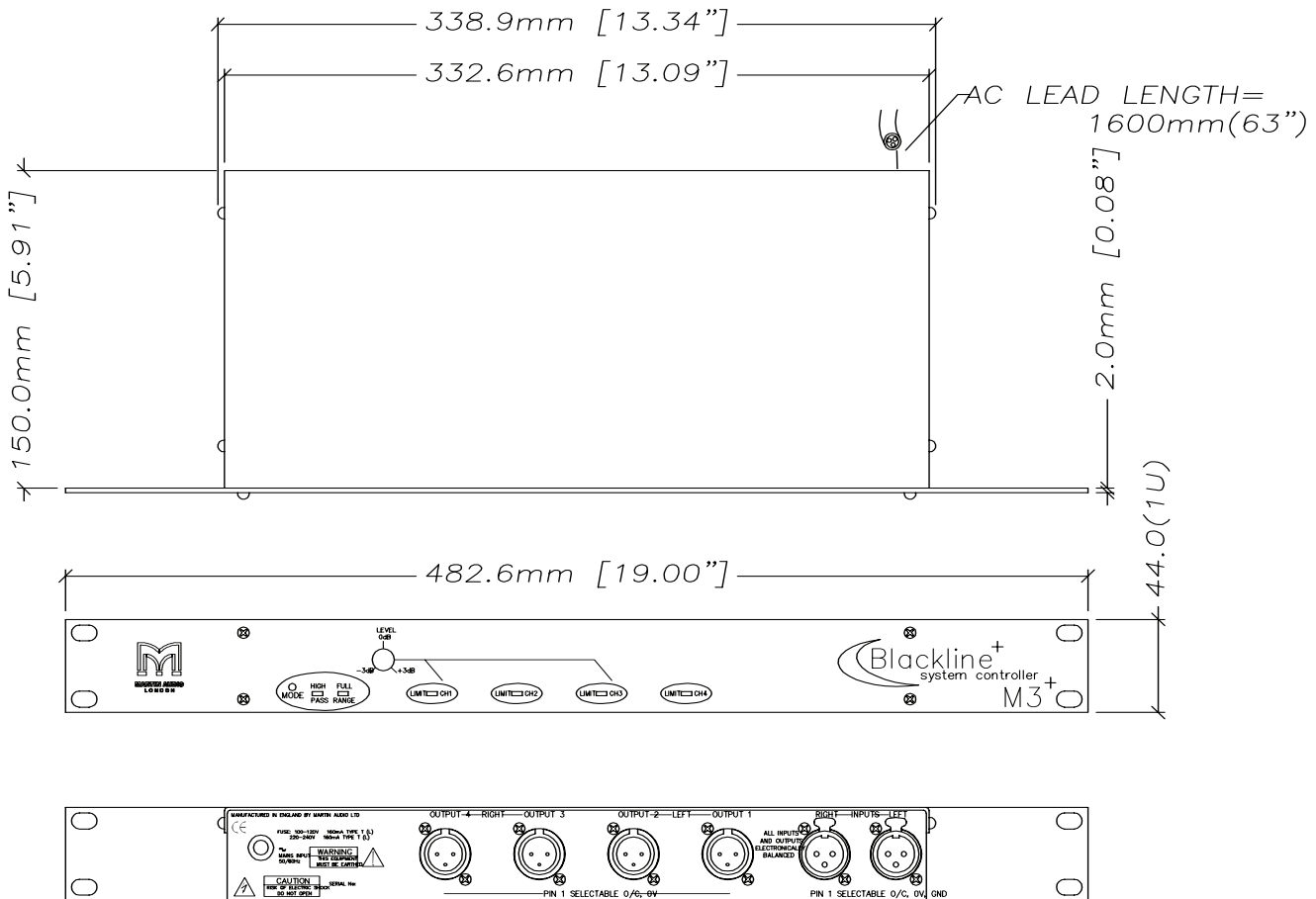


# Blackline M3<sup>+</sup>

Electronic controller

overall dimensions

professional



All information is Copyright © 2007 Martin Audio Ltd.

M3+



# Blackline M3<sup>+</sup>

Electronic controller

professional

## technical specifications

INPUTS	2 electronically balanced
IMPEDANCE	20K ohms (10K ohms per leg single ended)
CMRR	60dB 20Hz – 10kHz
CONNECTORS	3 pin female XLR
OUTPUTS	4 electronically balanced
SOURCE IMPEDANCE	62 ohms
MIN. LOAD IMPEDANCE	600 ohms
MAX. OUTPUT	+20dBu into 600 ohms
CONNECTORS	3 pin male XLR
FREQUENCY RESPONSE	-3dB @ 18Hz 12dB/octave -3dB @ 45KHz 12dB/octave (ultimately set by system parameters)
DISTORTION + NOISE	0.01% THD @ 2V output (limiters cancelled)
SIGNAL + NOISE/NOISE RATIO	> 100dB @ 2V output
LIMITERS	Individual for each channel Ratio 20:1. Threshold range -12dBu to +12dBu in 16 steps
MAINS SUPPLY	Captive 2m 3 core cable
MAINS VOLTAGE	Internally selectable by hard wire link 100 - 120/220 - 240V. AC, 50/60Hz Voltage tolerance on each setting ± 10%
MAINS FUSE	100 - 120V and 220 - 240V: 160mA Type 'T' (L)
DIMENSIONS	(W) 482mm x (H) 44mm x (D) 155mm (W) 19ins x (H) 1.75ins (1U) x (D) 6.1ins
WEIGHT	2.4kg (5.28lbs)

## architectural and engineering specifications

The electronic system controller shall operate as a stereo 2-way device containing crossover, equalisation and limiter circuitry. Crossover frequencies, equalisation and delay parameters shall be set by a plug-in board dedicated to the loudspeaker system under control. All inputs and outputs shall be electronically balanced. The output levels from the unit shall have user preset limiters for loudspeaker protection. Outputs 1 and 3 shall include -3dB to +3dB level control and all outputs shall include limit LED indicators. The power supply shall be capable of operating from a 100-120/220-240V 50/60Hz AC mains power source, internally selectable by a hard wire link.

Dimensions (W) 483mm x (H) 44mm x (D) 155mm  
(19ins x 1.75ins (1U) x 6.1ins).  
Weight 2.4kg (5.28lbs).

The electronic loudspeaker system controller shall be the Martin Audio M3<sup>+</sup>.

### Trade Descriptions Act

Due to Martin Audio's policy of continuing improvement, we reserve the right to alter these specifications without prior notice. Martin Audio is committed to refining state of the art sound reinforcement, combining in-depth product and field applications research with advanced manufacturing techniques. Every Martin Audio product is built to the highest manufacturing standards and rigorously tested to ensure that it meets the performance criteria specified in the design.

Century Point, Halifax Road, Cressex Business Park,  
High Wycombe, Buckinghamshire HP12 3SL, England.  
Telephone: +44 (0)1494 535312 Facsimile: +44 (0)1494 438669  
E-mail: [info@martin-audio.com](mailto:info@martin-audio.com)  
All information is Copyright © 2008 Martin Audio Ltd.

