

AQ15

Compact, full-range system

features

- ▶ Wide 80° x 50° dispersion
- ▶ Rotatable HF horn
- ▶ Architecturally friendly styling
- ▶ Alternative textured paint colours to order

applications

- ▶ Larger clubs, bars and restaurants
- ▶ Theatres
- ▶ Live sound in places of worship
- ▶ AV presentations



architectural

The Martin Audio AQ15 is a two-way passive loudspeaker designed to provide very high sound pressure levels from an architecturally friendly, heavily braced, vented enclosure. It features a 15" (380mm) long-throw, direct radiating bass driver with a 3" (75mm) voice coil, and a 2.5" (63mm) diaphragm, 1.4" (35mm) exit compression driver coupled to a true constant directivity HF horn.

The AQ15's very high power makes it suitable for medium to large scale sound applications in clubs, bars, AV presentations, places of worship, foyer presentations, sports venues and large exhibition spaces. Its very high sound pressure level and extended low frequency response makes it suitable for medium throw live sound applications in theatres and concert halls and its sonic accuracy makes it appropriate for large scale post production applications.

The AQ15 features a generously sized high frequency horn and a high order crossover for superior pattern control down into the low midrange and smooth off-axis characteristics. The AQ15 is housed in a heavily braced MDF enclosure and fitted with a flush, acoustically transparent steel grille. The enclosure is fitted with twelve M8 inserts to make a variety of mounting methods possible, including horizontal and vertical mounting.

A Martin Audio AQX Electronic Controller is available to provide AQ15/subwoofer crossover, limiter and trim functions.

Century Point, Halifax Road, Cressex Business Park,
High Wycombe, Buckinghamshire HP12 3SL, England.
Telephone: +44 (0)1494 535312 Facsimile: +44 (0)1494 438669
E-mail: info@martin-audio.com
All information is Copyright © 2005 Martin Audio Ltd.



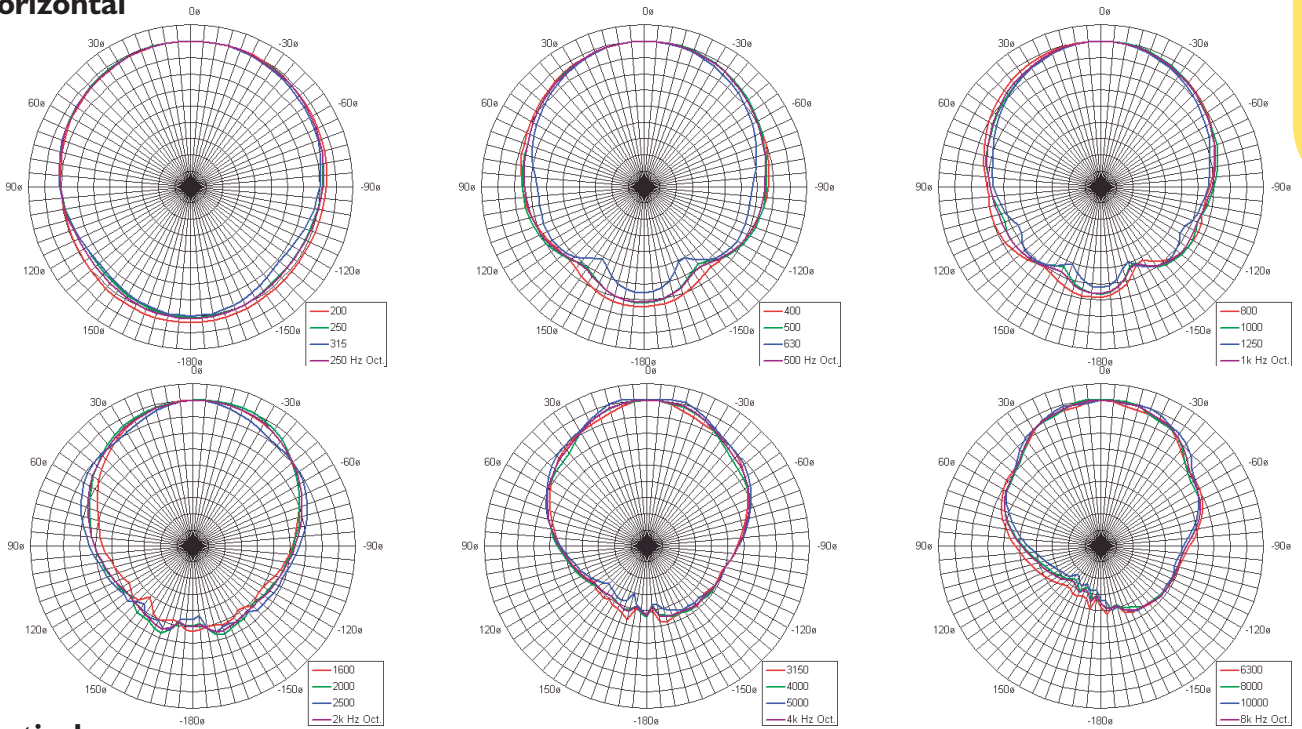
AQI5

Compact, full-range system

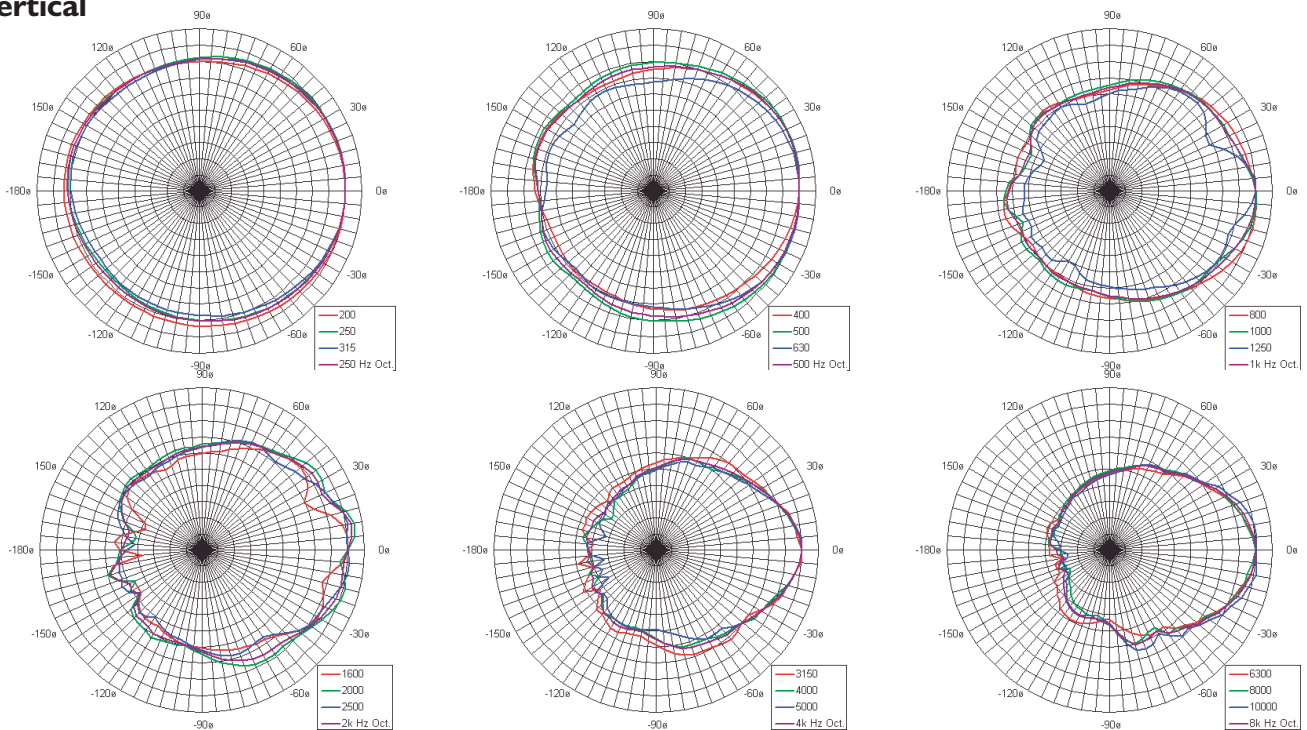
architectural

polar plots - 1/3rd 8ve, 6dB/div

Horizontal



Vertical



Century Point, Halifax Road, Cressex Business Park,
High Wycombe, Buckinghamshire HP12 3SL, England.
Telephone: +44 (0)1494 535312 Facsimile: +44 (0)1494 438669
E-mail: info@martin-audio.com
All information is Copyright © 2005 Martin Audio Ltd.



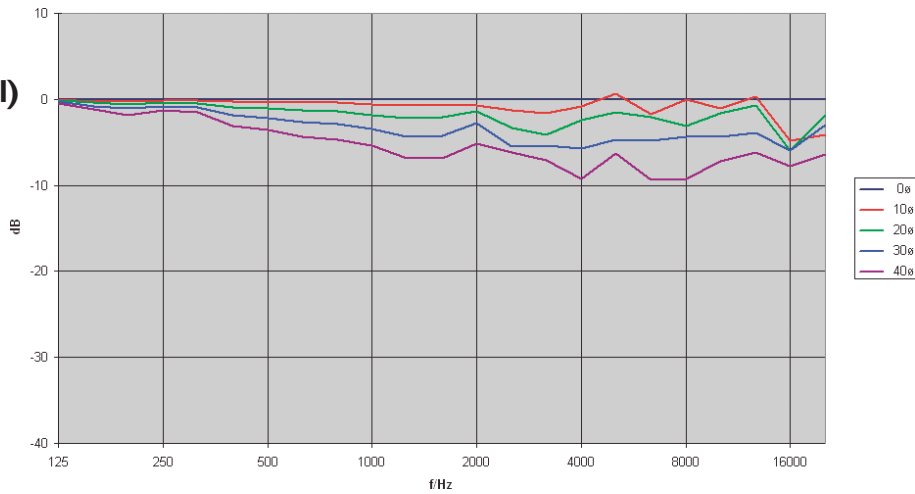
AQI5

Compact, full-range system

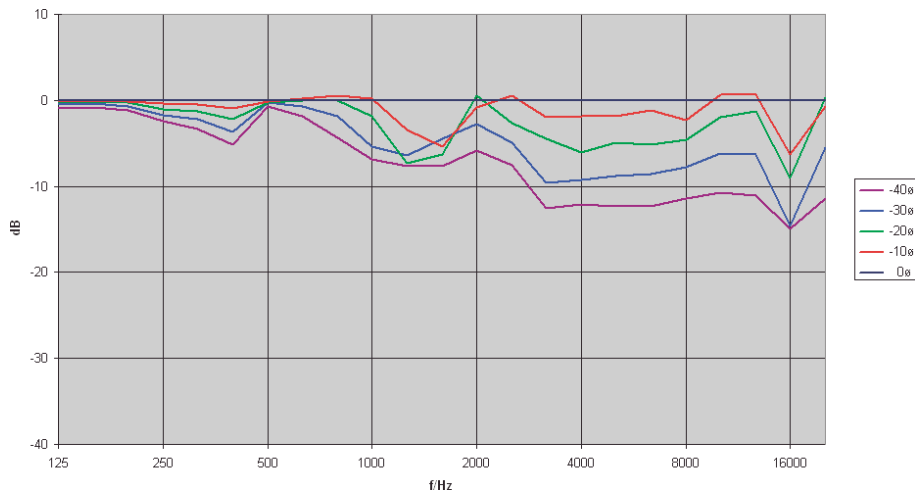
frequency responses

architectural

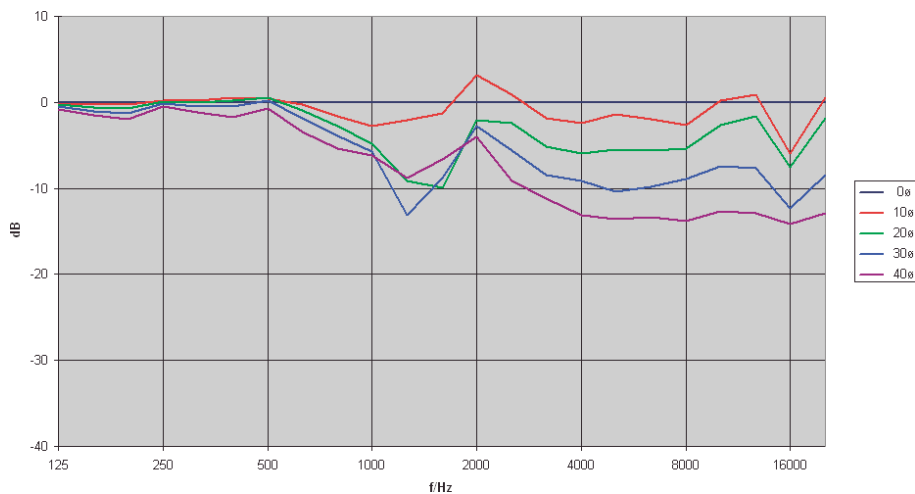
Horizontal (symmetrical)



Vertical -(up)



Vertical +(down)



Century Point, Halifax Road, Cressex Business Park,
High Wycombe, Buckinghamshire HP12 3SL, England.
Telephone: +44 (0)1494 535312 Facsimile: +44 (0)1494 438669
E-mail: info@martin-audio.com
All information is Copyright © 2005 Martin Audio Ltd.

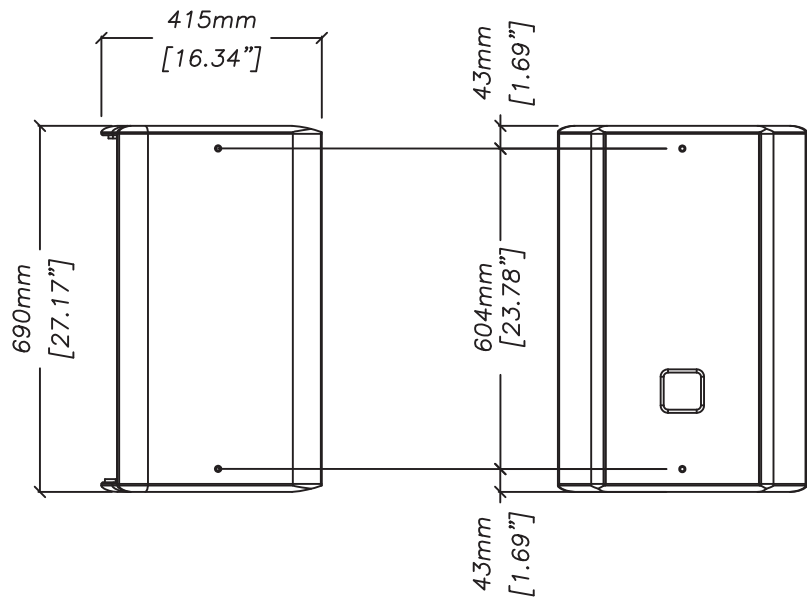
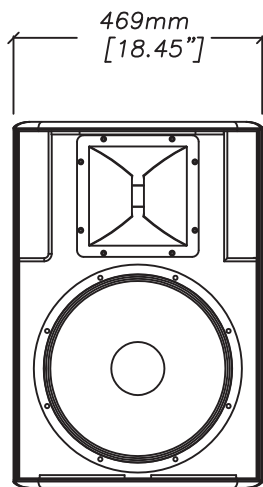
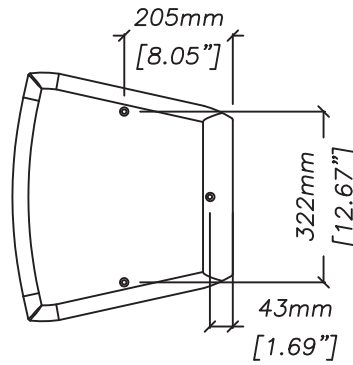


AQ15

Compact, full-range system

overall dimensions

architectural



AQ15

Century Point, Halifax Road, Cressex Business Park,
High Wycombe, Buckinghamshire HP12 3SL, England.
Telephone: +44 (0)1494 535312 Facsimile: +44 (0)1494 438669
E-mail: info@martin-audio.com
All information is Copyright © 2005 Martin Audio Ltd.



AQ15

Compact, full-range system

technical specifications

TYPE	Compact, two-way passive, vented trapezoid
FREQUENCY RESPONSE (1)	55Hz-18kHz \pm 3dB
DRIVERS	15" (380mm) bass driver 1.4" (35mm) exit HF compression driver
RATED POWER (2)	400W AES, 1600W peak
RECOMMENDED AMPLIFIER	MA3.0 / MA4.8Q
SENSITIVITY (6)	99dB
MAXIMUM SPL (9)	125dB continuous, 131dB peak
NOMINAL IMPEDANCE	8 ohms
DISPERSION (-6dB)	80° horizontal, 50° vertical
CROSSOVER	1.6kHz passive
ENCLOSURE	63 litre, braced 18/24mm MDF
FINISH	Textured light grey paint
PROTECTIVE GRILLE	Light grey perforated steel
CONNECTORS	Low profile 20 amp push-lock
FITTINGS	12 x M8 inserts for flyware
OPTIONS	150W 100/70V line transformer
DIMENSIONS	(W) 469mm x (H) 690mm x (D) 415mm (W) 18.5ins x (H) 27.2ins x (D) 16.4ins
WEIGHT	33.5kg (74lbs)

accessories

HTKCT05 8mm Shouldered Eye Bolt

Notes

- (1) Measured on-axis in half space at 2 metres, then referred to 1 metre.
- (2) AES Standard ANSI S4.26-1984.
- (3) Measured in half space at 2 metres with 1 watt input, using band limited pink noise, then referred to 1 metre.
- (4) Measured in half space at 2 metres using band limited pink noise, then referred to 1 metre.
- (5) Measured on-axis in open (4π) space at 2 metres, then referred to 1 metre.
- (6) Measured in open (4π) space at 2 metres with 1 watt input, using band limited pink noise, then referred to 1 metre.
- (7) Measured in open (4π) space at 2 metres using band limited pink noise, then referred to 1 metre.
- (8) Measured in open (4π) space at 2 metres with 2.83V input, using band limited pink noise, then referred to 1 metre.
- (9) Calculated at 1 metre.

Trade Descriptions Act

Due to Martin Audio's policy of continuing improvement, we reserve the right to alter these specifications without prior notice. Martin Audio is committed to refining state of the art sound reinforcement, combining in-depth product and field applications research with advanced manufacturing techniques. Every Martin Audio product is built to the highest manufacturing standards and rigorously tested to ensure that it meets the performance criteria specified in the design.

architectural and engineering specifications

The loudspeaker system shall be of the two-way passive type consisting of one 15" (380mm) direct radiating reflex loaded low frequency transducer and one 1.4" (35mm) exit HF compression driver mounted on a user rotatable constant directivity horn in a trapezoidal MDF enclosure. The enclosure shall be fitted with threaded inserts to allow for a variety of mounting methods. An internal 1.6kHz passive crossover network shall integrate the low and high frequency sections.

Performance of the loudspeaker system with its electronic controller shall meet or exceed the following criteria:

Frequency response measured 1 metre on axis shall be 55Hz-18kHz \pm 3dB.

High frequency dispersion at -6dB points shall be 80° H x 50° V.

Power handling shall be 400W AES, 1600W peak.

Rated impedance shall be 8 ohms.

Maximum SPL calculated at 1 metre on axis shall be 125dB continuous, 131dB peak.

Dimensions (W) 469mm x (H) 690mm x (D) 415mm (18.5ins x 27.2ins x 16.4ins).

Weight 33.5kg (74lbs).

The loudspeaker system shall be the Martin Audio AQ15.