

AQ6

Ultra-compact, full-range system

features

- ▶ Wide 90° x 90° dispersion
- ▶ Light weight structural foam enclosure
- ▶ Discreet, architecturally friendly styling
- ▶ 1st & 2nd fix wall and ceiling brackets available

applications

- ▶ Clubs, bars and restaurants
- ▶ Theatres
- ▶ Places of worship
- ▶ Exhibition centres



The Martin Audio AQ6 is a two-way passive loudspeaker designed to fulfill the requirement for dynamic performance from a very small, architecturally friendly, vented enclosure. It features a 6.5" (165mm) direct radiating, long-throw bass unit and a 1" (25mm) doped fabric dome driver coupled to a constant directivity conical coverage HF horn.

The AQ6's miniature size makes it an ideal loudspeaker for visibly unobtrusive applications in clubs, bars, AV presentations, places of worship, museums, foyers, sports venues and exhibition centres. The AQ6 may also be used for supplementary live sound applications such as theatre apron fills, orchestra pit fills and delay systems.

The AQ6 is housed in a thick-walled structural ABS foam enclosure with a flush, acoustically transparent steel grille. The enclosure is fitted with four M6 inserts for fitting either AQWB6 or AQCB6 brackets to allow for horizontal or vertical mounting, plus an additional M6 insert for a safety point.

A Martin Audio AQX Electronic Controller is available to provide AQ6/subwoofer crossover, limiter and trim functions.

Century Point, Halifax Road, Cressex Business Park,
High Wycombe, Buckinghamshire HP12 3SL, England.
Telephone: +44 (0)1494 535312 Facsimile: +44 (0)1494 438669
E-mail: info@martin-audio.com
All information is Copyright © 2013 Martin Audio Ltd.



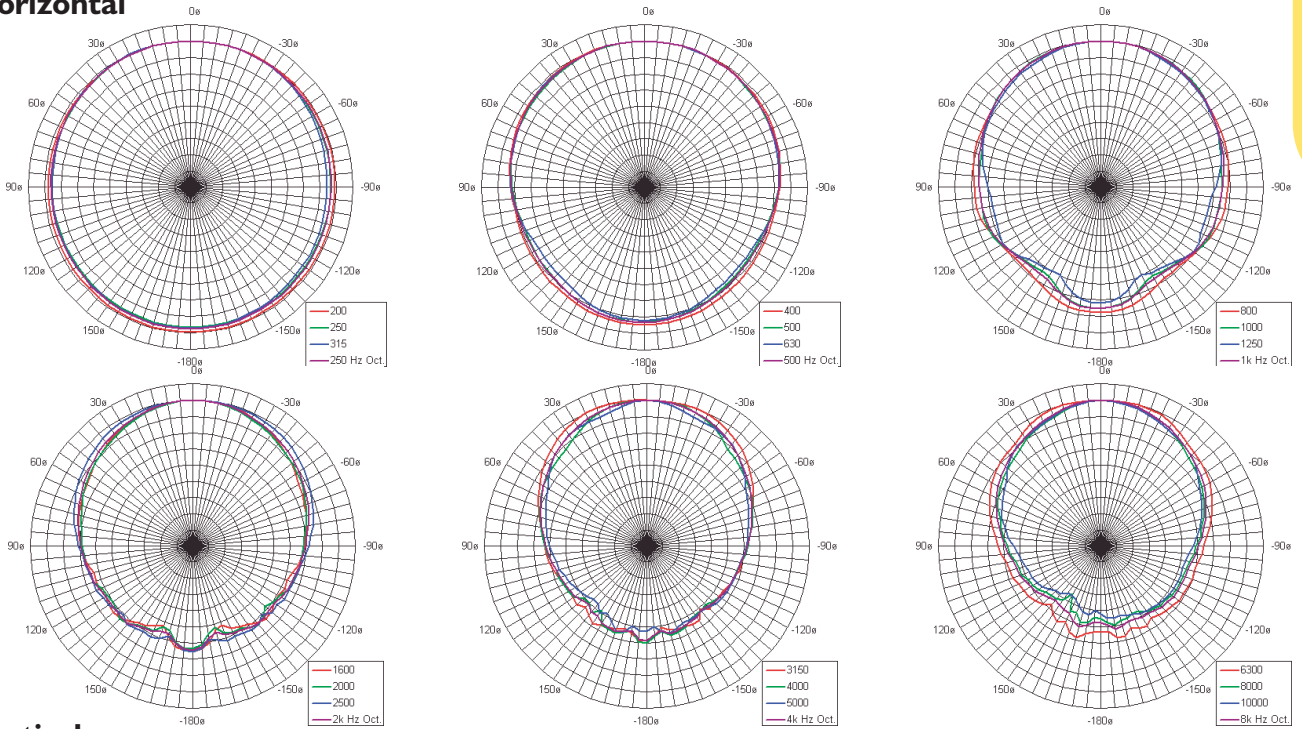
AQ6

Ultra-compact, full-range system

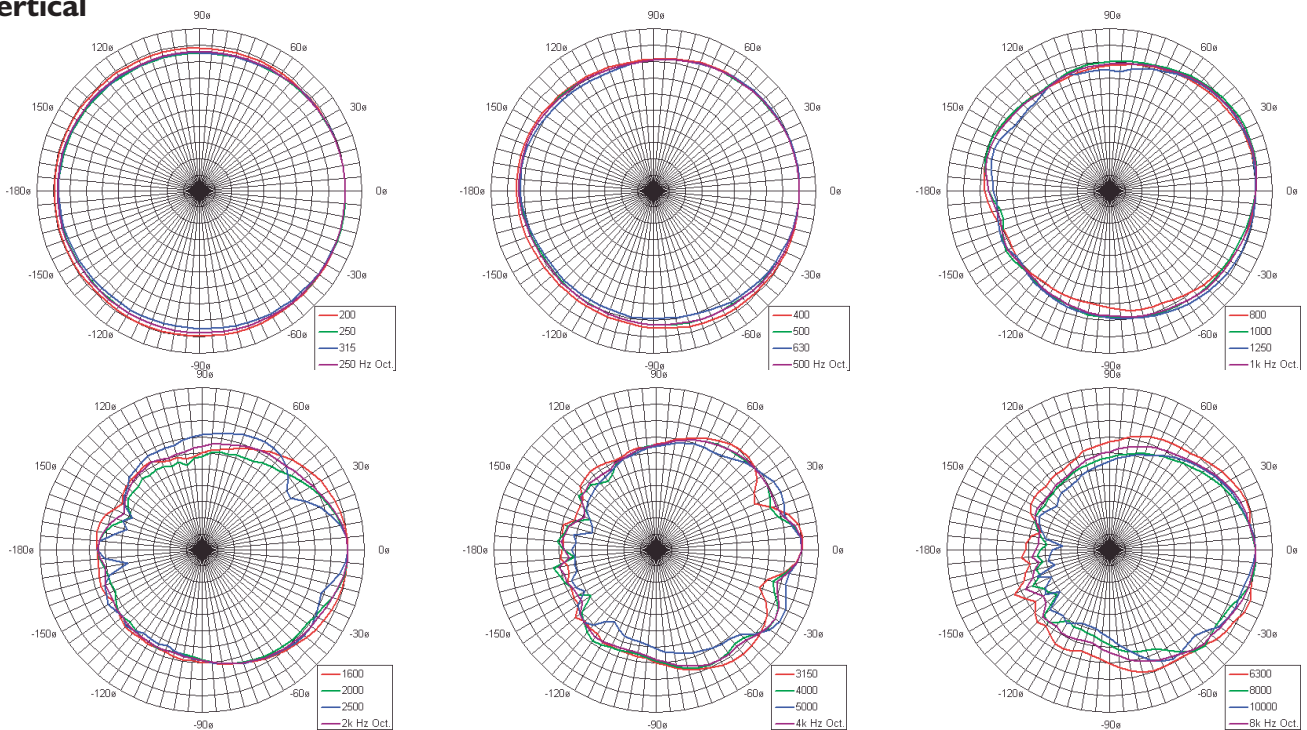
polar plots - 1/3rd 8ve, 6dB/div

architectural

Horizontal



Vertical



Century Point, Halifax Road, Cressex Business Park,
High Wycombe, Buckinghamshire HP12 3SL, England.
Telephone: +44 (0)1494 535312 Facsimile: +44 (0)1494 438669
E-mail: info@martin-audio.com
All information is Copyright © 2013 Martin Audio Ltd.



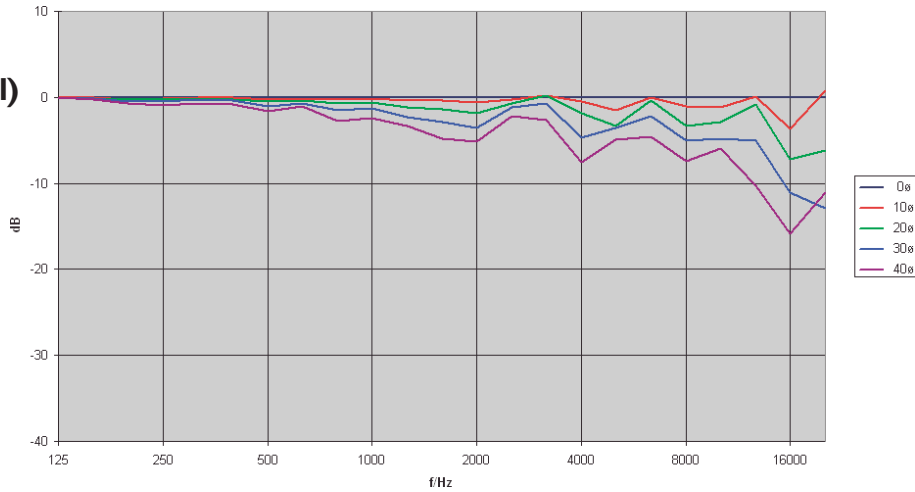
AQ6

Ultra-compact, full-range system

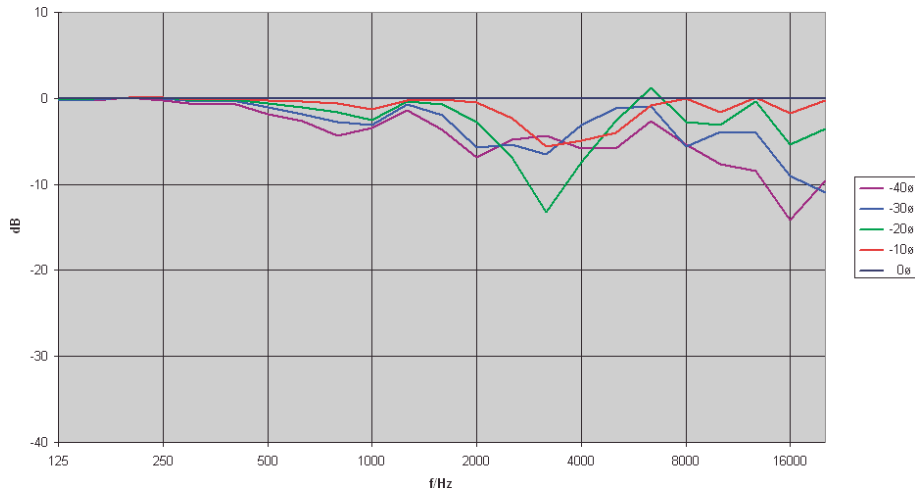
frequency responses

architectural

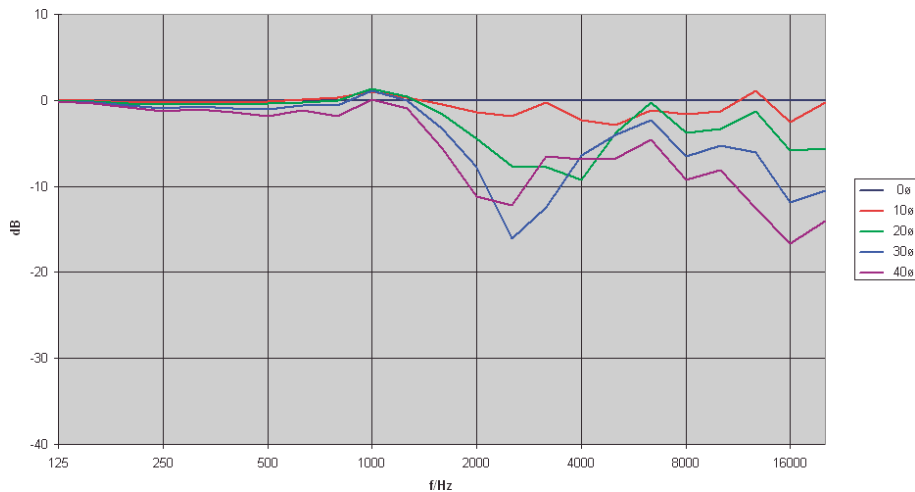
Horizontal (symmetrical)



Vertical -(up)



Vertical +(down)



Century Point, Halifax Road, Cressex Business Park,
High Wycombe, Buckinghamshire HP12 3SL, England.
Telephone: +44 (0)1494 535312 Facsimile: +44 (0)1494 438669
E-mail: info@martin-audio.com
All information is Copyright © 2013 Martin Audio Ltd.

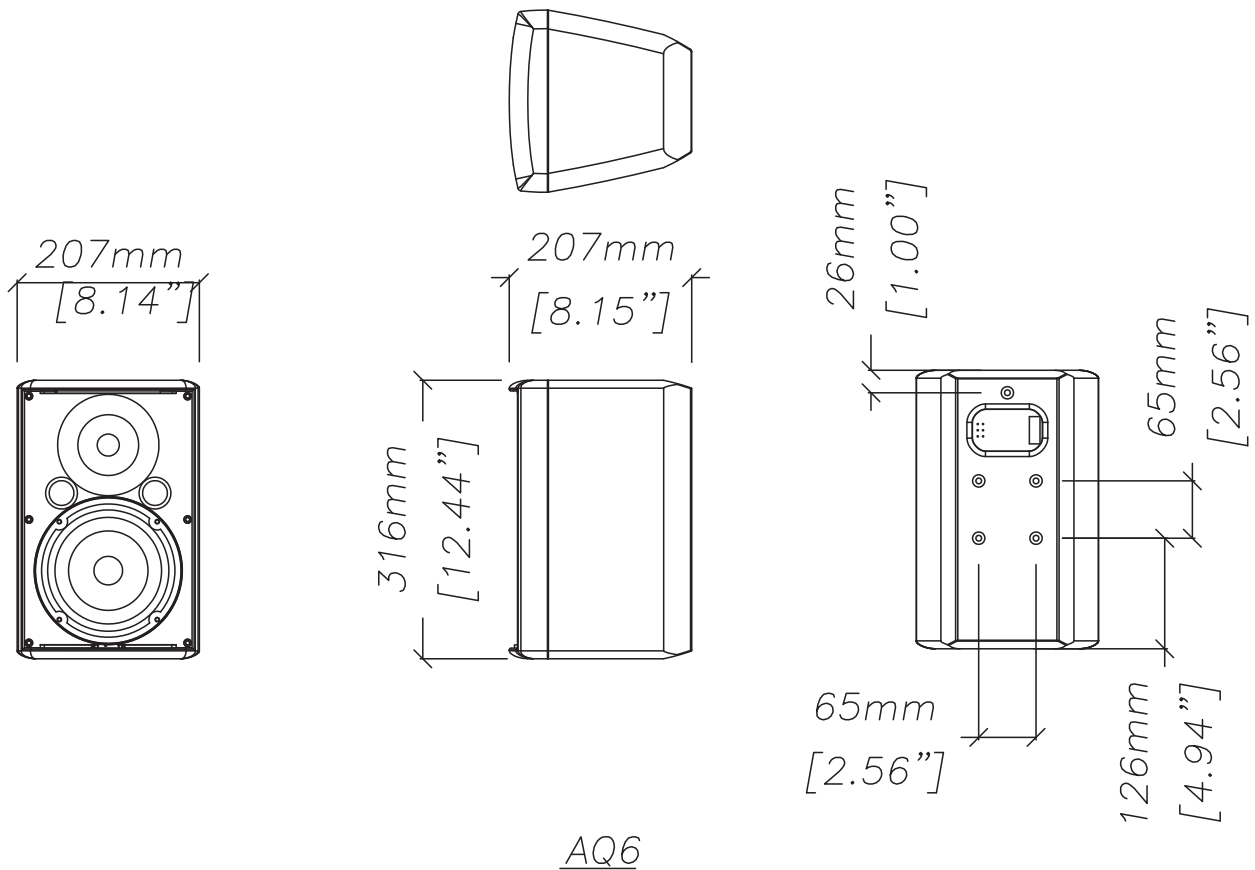


AQ6

Ultra-compact, full-range system

overall dimensions

architectural



AQ6

Century Point, Halifax Road, Cressex Business Park,
High Wycombe, Buckinghamshire HP12 3SL, England.
Telephone: +44 (0)1494 535312 Facsimile: +44 (0)1494 438669
E-mail: info@martin-audio.com
All information is Copyright © 2013 Martin Audio Ltd.



AQ6

Ultra-compact, full-range system

technical specifications

TYPE	Ultra-compact, two-way passive, vented trapezoid
FREQUENCY RESPONSE (1)	80Hz-20kHz \pm 3dB
DRIVERS	6.5" (165mm) bass driver 1" (25mm) horn loaded dome tweeter
RATED POWER (2)	100W AES, 400W peak
RECOMMENDED AMPLIFIER	MA2.8Q
SENSITIVITY (6)	90dB
MAXIMUM SPL (9)	110dB continuous, 116dB peak
NOMINAL IMPEDANCE	8 ohms (16 ohms optional)
DISPERSION (-6dB)	90° horizontal, 90° vertical
CROSSOVER	3.5kHz passive
ENCLOSURE	9 litre, structural foamed ABS
FINISH	Textured light grey paint
PROTECTIVE GRILLE	Light grey perforated steel
CONNECTORS	Low profile 12 amp push-lock
FITTINGS	4 x M6 inserts for bracket 1 x M6 insert for safety point
OPTIONS	30W 100/70V line transformer
DIMENSIONS	(W) 207mm x (H) 316mm x (D) 207mm (W) 8.2ins x (H) 12.5ins x (D) 8.2ins
WEIGHT	6kg (13.2lbs)

accessories

AQWB6	Wall Bracket
AQCB6	Ceiling Bracket

architectural and engineering specifications

The loudspeaker system shall be of the two-way passive type consisting of one 6.5" (165mm) direct radiating reflex loaded low frequency transducer and one 1" (25mm) horn loaded dome tweeter in a structural foamed ABS trapezoidal enclosure. The enclosure shall be fitted with threaded inserts for attachment to a custom bracket. An internal 3.5kHz passive crossover network shall integrate the low and high frequency sections.

Performance of the loudspeaker system with its electronic controller shall meet or exceed the following criteria:

Frequency response measured 1 metre on axis shall be 80Hz-20kHz \pm 3dB.

High frequency dispersion at -6dB points shall be 90° H x 90° V.

Power handling shall be 100W AES, 400W peak.

Rated impedance shall be 8 ohms.

Maximum SPL calculated at 1 metre on axis shall be 110dB continuous, 116dB peak.

Dimensions (W) 207mm x (H) 316mm x (D) 207mm (8.2ins x 12.5ins x 8.2ins).

Weight 6kg (13.2lbs).

The loudspeaker system shall be the Martin Audio AQ6.

Notes

- (1) Measured on-axis in half space at 2 metres, then referred to 1 metre.
- (2) AES Standard ANSI S4.26-1984.
- (3) Measured in half space at 2 metres with 1 watt input, using band limited pink noise, then referred to 1 metre.
- (4) Measured in half space at 2 metres using band limited pink noise, then referred to 1 metre.
- (5) Measured on-axis in open (4 π) space at 2 metres, then referred to 1 metre.
- (6) Measured in open (4 π) space at 2 metres with 1 watt input, using band limited pink noise, then referred to 1 metre.
- (7) Measured in open (4 π) space at 2 metres using band limited pink noise, then referred to 1 metre.
- (8) Measured in open (4 π) space at 2 metres with 2.83V input, using band limited pink noise, then referred to 1 metre.
- (9) Calculated at 1 metre.

Trade Descriptions Act

Due to Martin Audio's policy of continuing improvement, we reserve the right to alter these specifications without prior notice. Martin Audio is committed to refining state of the art sound reinforcement, combining in-depth product and field applications research with advanced manufacturing techniques. Every Martin Audio product is built to the highest manufacturing standards and rigorously tested to ensure that it meets the performance criteria specified in the design.

Century Point, Halifax Road, Cressex Business Park,
High Wycombe, Buckinghamshire HP12 3SL, England.
Telephone: +44 (0)1494 535312 Facsimile: +44 (0)1494 438669
E-mail: info@martin-audio.com
All information is Copyright © 2014 Martin Audio Ltd.

