

B218X

Dual-Driver Subwoofer

Features

- Dual-driver, direct radiator subwoofer
- 2 x 18" (460mm) drivers with 4" (100mm) voice coils
- Durable plywood enclosure
- Large ports for reduced air noise
- Powder coated, perforated steel grille
- Integral ergonomic handles
- 35mm pole-mount socket
- Feet for vertical or horizontal operation
- Rebate recesses for stable horizontal stacking
- M10 flying inserts

Applications

- Portable sound reinforcement
- Live music clubs
- Premium KTV
- Nightclubs



The B218X is a dual-driver, high performance subwoofer for use with full-range loudspeakers. With an operating range of 42Hz-200Hz + 3dB, it produces high output levels with low distortion and can be used singly or stacked horizontally. It features dual 18" (460mm)/4" (100mm) voice coil, long-excursion drivers in a reflex enclosure with eight large ports that reduce air turbulence at high output levels.

The B218X enclosure is constructed from plywood and finished in black textured paint.

For added versatility in deployment, the B218X is fitted with a 35mm pole-mount socket for mounting full-range enclosures, and integral M10 inserts provide for eyebolt suspension of a single enclosure.

Ergonomic handles assist ease of handling and the drivers are protected by a perforated steel grille. Rubber feet on the base of the B218X resist movement and align with recesses in the top surface for stable horizontal stacking. Feet are also provided on one side of the enclosure for vertical operation of a single cabinet.

The B218X is supplied as standard without castors, which are available as an accessory pack.

When used with full-range systems, crossover and EQ functions can be performed by the DX0.4, DX0.6 or DX4.0 system controllers or by a Martin Audio amplifier with onboard DSP.

B218X

Dual-Driver Subwoofer

Technical Specifications

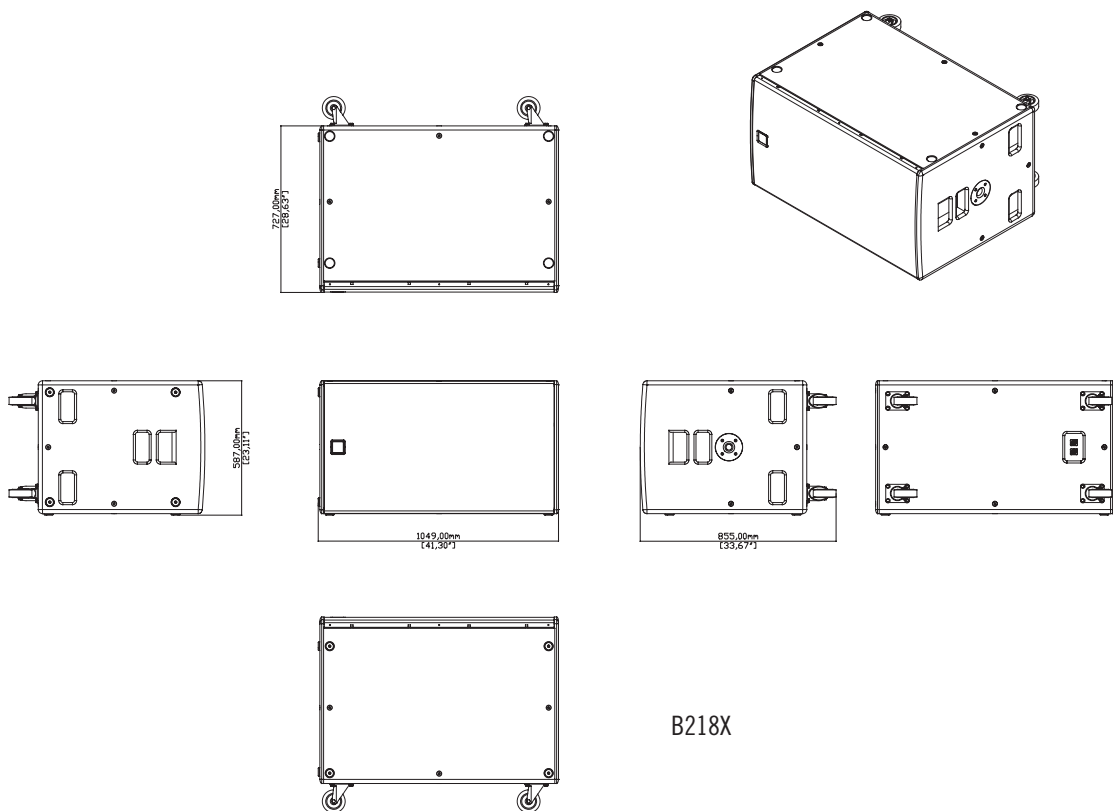
TYPE	Dual-driver, direct radiating subwoofer
FREQUENCY RESPONSE (1)	42Hz-200Hz \pm 3dB -10dB @ 33Hz
DRIVER	18" (460mm)/4" (100mm) voice coil, long excursion, ferrite magnet
RATED POWER (2)	1600W AES, 6400W peak
RECOMMENDED AMPLIFIER	VIA 5002, iK81, iK42
SENSITIVITY (10)	106dB
MAXIMUM SPL (9)	141dB peak (half space)
NOMINAL IMPEDANCE	4 ohms
DISPERSION (-6dB)	Omnidirectional
CROSSOVER	80-120Hz active
ENCLOSURE	Birch/poplar ply
FINISH	Black textured paint
PROTECTIVE GRILLE	Black perforated steel
CONNECTORS	2 x NL4 type
PIN CONNECTIONS (INPUT)	1+ 1- Link Through 2+ 2-
PIN CONNECTIONS (LINK)	1+ 1- Link Through 2+ 2-
FITTINGS	12 x M10 inserts, pole-mount socket 2 x bar handles, 4 x pocket handles, provision for castors
DIMENSIONS (INCL FEET)	(W) 1049mm x (H) 587mm x (D) 727mm (W) 41.3ins x (H) 23.1ins x (D) 28.6ins
WEIGHT	88kg (194lbs)
RECOMMENDED AMPLIFIER	VIA5002 or iK42 / iK81
RECOMMENDED CONTROLLER	DX0.4 / DX0.6 or DX4.0

Notes

- (1) Measured on-axis in half (2pi) space at 2 metres, then referred to 1 metre.
- (2) AES Standard ANSI S4.26-1984.
- (3) Measured in half (2pi) space at 2 metres with 1 watt input, using band limited pink noise, then referred to 1 metre.
- (4) Measured in half (2pi) space at 2 metres using band limited pink noise, then referred to 1 metre.
- (5) Measured on-axis in open (4pi) space at 2 metres, then referred to 1 metre.
- (6) Measured in open (4pi) space at 2 metres with 1 watt input, using band limited pink noise, then referred to 1 metre.
- (7) Measured in open (4pi) space at 2 metres using band limited pink noise, then referred to 1 metre.
- (8) Measured in open (4pi) space at 2 metres with 2.83v input, using band limited pink noise, then referred to 1 metre.
- (9) Calculated at 1 metre.
- (10) Measured in half (2pi) space at 2 metres with 2.83V input, using band limited pink noise, then referred to 1 metre.

Trade Descriptions Act

Due to Martin Audio's policy of continuing improvement, we reserve the right to alter these specifications without prior notice. Martin Audio is committed to refining state of the art sound reinforcement, combining in-depth product and field applications research with advanced manufacturing techniques. Every Martin Audio product is built to the highest manufacturing standards and rigorously tested to ensure that it meets the performance criteria specified in the design.



B218X

Martin Audio Ltd
Century Point, Halifax Road, High Wycombe
Buckinghamshire HP12 3SL, England

Telephone: +44 (0) 1494 535 312
Facsimile: +44 (0) 1494 438 669
Email: info@martin-audio.com

All information is Copyright © 2023 Martin Audio Ltd.



www.martin-audio.com