

CSX118

Compact Subwoofer

Features

- Compact, direct-radiator subwoofer
- 1 x 18" (460mm) driver with 4" (100mm) voice coil
- Water resistant cone
- Large ports for reduced air noise
- Perforated steel grille
- Black or white standard colour options
- Integrated flying points

Applications

- Live music clubs and bars
- Nightclubs
- Bars and restaurants
- Museums and AV spaces
- Convention centres
- Hotels
- Retail outlets
- Leisure centres
- Houses of Worship



The CSX118 is a compact, high performance subwoofer that extends the low frequency operating range of the combined system to 35Hz and provides exceptional low frequency impact. An ideal partner for the CDD10, CDD12 and CDD15, it features a long-excursion 18" (460mm)/4" (100 mm) voice coil driver with a water-resistant cone and triple roll surround in a compact reflex enclosure.

The design of the 18" driver maximises output while minimising power compression and distortion, and the four reflex ports have a large frontal area to reduce turbulent air noise at very high levels. The enclosure is constructed from high-density MDF and its perforated steel grille is pre-curved to withstand physical damage.

Finished in black (RAL9005) or white (RAL9016) as standard with integrated flying points, the CSX(number) can be also be supplied in any RAL colour to order.

When used with CDD full-range systems, crossover and EQ functions can either be performed by the DX0.5, DX1.5 and DX2 system controllers, or by an iKON or MA Series amplifier with onboard DSP option.

CSX118

Compact Subwoofer



Technical Specifications

Acoustical

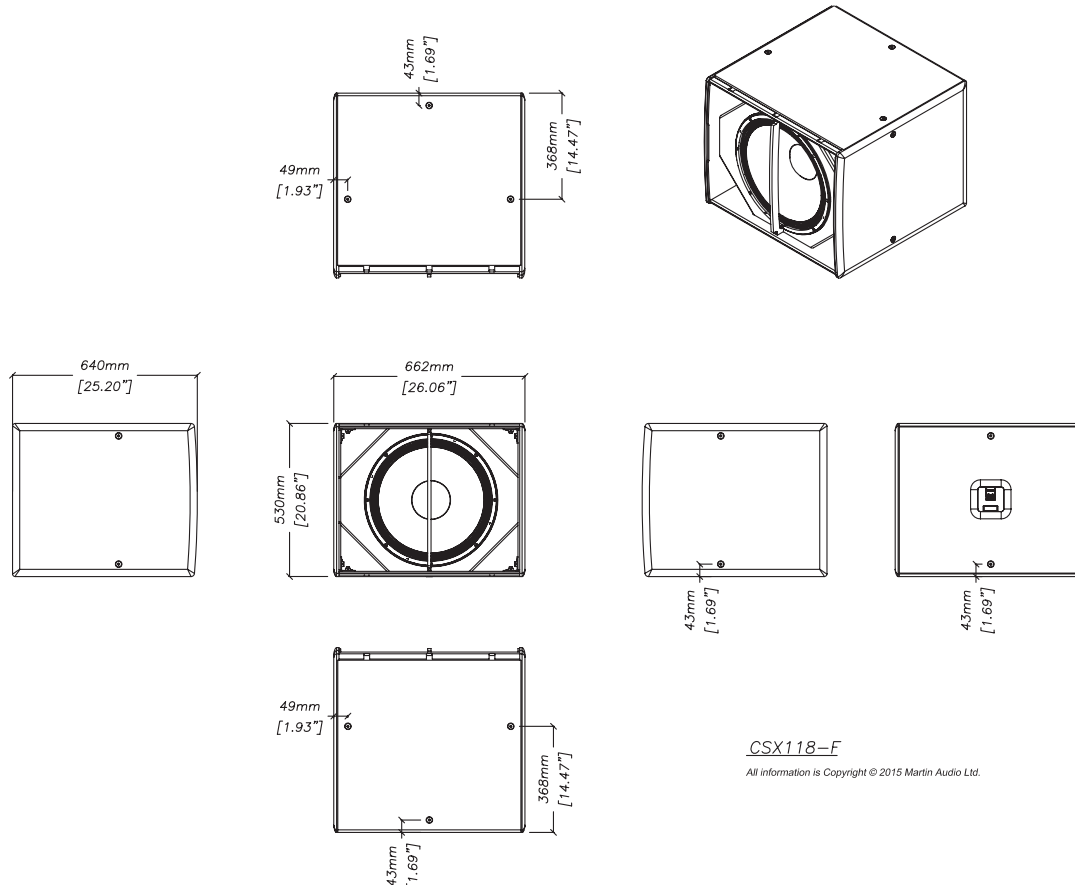
TYPE	Compact, direct radiating subwoofer
FREQUENCY RESPONSE (1)	40Hz-150Hz \pm 3dB, -10dB @ 35Hz
DRIVER	18" (460mm)/4" (100mm) voice coil, long excursion, ferrite magnet, waterproof cone
RATED POWER (2)	1000W AES, 4000W peak
RECOMMENDED AMPLIFIER	iK42
SENSITIVITY (10)	102dB
MAXIMUM SPL (9)	132dB continuous, 138dB peak (half space)
NOMINAL IMPEDANCE	8 ohms
DISPERSION (-6dB)	Omnidirectional
CROSSOVER	80-120Hz active
ENCLOSURE	160 litre, high-density MDF
FINISH	Black or white textured paint
PROTECTIVE GRILLE	Black or white perforated steel
CONNECTORS	Low profile 20A push-lock
PIN CONNECTIONS	Left to right: Input+, Input -, Link -, Link+
DIMENSIONS	(W) 662mm x (H) 530mm x (D) 640mm (W) 26.1ins x (H) 20.9ins x (D) 25.2ins
WEIGHT	42kg (93lbs)

Notes

- (1) Measured on-axis in half (2pi) space at 2 metres, then referred to 1 metre.
- (2) AES Standard ANSI S4.26-1984.
- (3) Measured in half (2pi) space at 2 metres with 1 watt input, using band limited pink noise, then referred to 1 metre.
- (4) Measured in half (2pi) space at 2 metres using band limited pink noise, then referred to 1 metre.
- (5) Measured on-axis in open (4pi) space at 2 metres, then referred to 1 metre.
- (6) Measured in open (4pi) space at 2 metres with 1 watt input, using band limited pink noise, then referred to 1 metre.
- (7) Measured in open (4pi) space at 2 metres using band limited pink noise, then referred to 1 metre.
- (8) Measured in open (4pi) space at 2 metres with 2.83V input, using band limited pink noise, then referred to 1 metre.
- (9) Calculated at 1 metre.
- (10) Measured in half (2pi) space at 2 metres with 2.83V input, using band limited pink noise, then referred to 1 metre.

Trade Descriptions Act

Due to Martin Audio's policy of continuing improvement, we reserve the right to alter these specifications without prior notice. Martin Audio is committed to refining state of the art sound reinforcement, combining in-depth product and field applications research with advanced manufacturing techniques. Every Martin Audio product is built to the highest manufacturing standards and rigorously tested to ensure that it meets the performance criteria specified in the design.



CSX118-F

All information is Copyright © 2015 Martin Audio Ltd.