

S.12

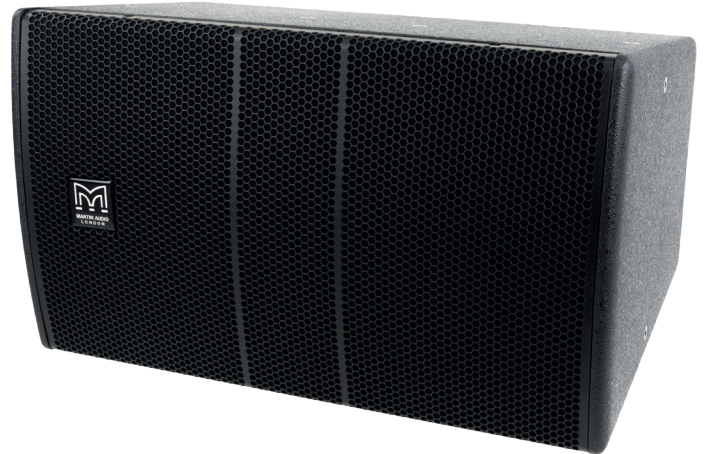
Compact, Two-way Passive System



S•SERIES

Features

- Full-range, passive two-way system
- KTV specific voicing
- Enhanced bass response from rear port
- LF driver with demodulating ring for distortion-free vocals
- User-rotatable horn
- Vertical and horizontal mounting option
- Cloth-backed perforated steel grille
- Trapezoid enclosure with textured finish
- 8Ω nominal impedance
- Internal crossover network with LF and HF driver protection
- Twin NL4 connectors
- Multiple M8 rigging inserts



Applications

- Family KTV, BOX KTV and KTV lounges
- Music bars

The S.12 is a high-performance, two-way entertainment system. With a maximum SPL of 130dB peak @ 1m, it is ideal for family KTV, KTV lounges and music bars that require enjoyable sound levels and vocal clarity from a compact enclosure. It features a 12" (300mm)/2.5" (63mm) voice coil LF driver unit and a 1" (25mm) exit compression driver with a 1.4" (35mm) polyimide diaphragm on a rotatable 80° x 50° HF horn.

It produces impressive low frequency output from its optimised, compact, rear-ported trapezoid enclosure without the need for an additional subwoofer when mounted close to a wall or ceiling. The S.12's trapezoid enclosure is constructed from 15mm engineered wood fibre and fitted with multiple M8 inserts for eyebolt suspension and installation.

S.12

Compact, Two-way Passive System



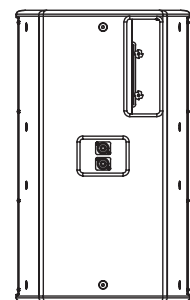
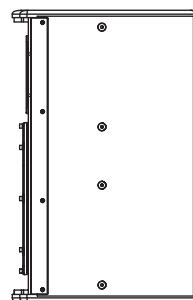
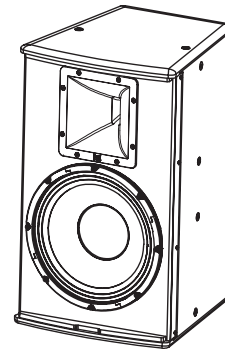
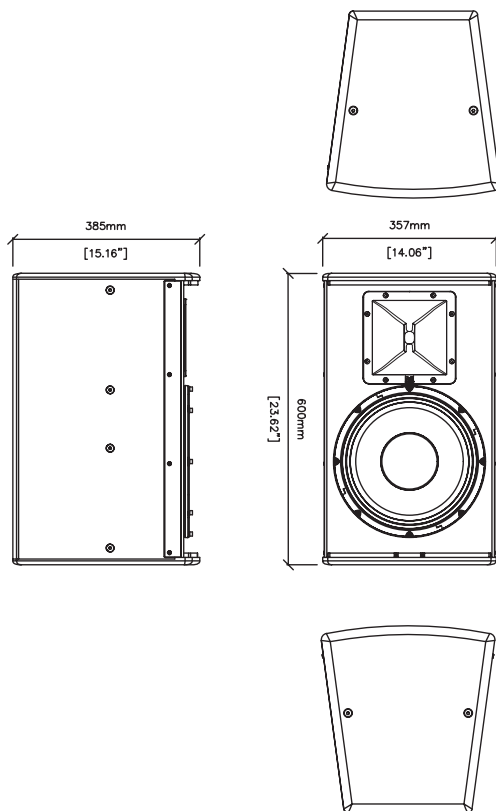
S•SERIES

Technical Specifications

TYPE	Compact, passive two-way system
FREQUENCY RESPONSE (1)	62Hz-20kHz \pm 3dB -10dB @ 47Hz
DRIVERS	LF: 12" (300mm)/2.5" (63.5mm) voice coil, ferrite motor system HF: 1" (25mm) exit/1.4" (35mm) voice coil, polyimide dome compression driver
RATED POWER (2)	600W program, 1200W peak
RECOMMENDED AMP	VIA5002
SENSITIVITY (8)	99dB
MAXIMUM SPL (9)	126dB program, 129dB peak
NOMINAL IMPEDANCE	8 ohms
DISPERSION (-6dB)	80° H x 50° V (user-rotatable)
CROSSOVER	2.5kHz passive
ENCLOSURE	Trapezoid
FINISH	Black textured paint
PROTECTIVE GRILLE	Black perforated steel with scrim cloth backing
CONNECTORS	2 x NL4 type
PIN CONNECTIONS (INPUT)	1+/-
PIN CONNECTIONS (LINK)	1+/- to 1+/-
FITTINGS	14 x M8 inserts
DIMENSIONS	(W) 357mm x (H) 600mm x (D) 385mm (W) 14.1ins x (H) 23.6ins x (D) 15.2ins
WEIGHT	21kg (46.3lbs)

Notes

- (1) Measured on-axis in half (2pi) space at 2 metres, then referred to 1 metre.
- (2) AES Standard ANSI S4.26-1984.
- (3) Measured in half (2pi) space at 2 metres with 1 watt input, using band limited pink noise, then referred to 1 metre.
- (4) Measured in half (2pi) space at 2 metres using band limited pink noise, then referred to 1 metre.
- (5) Measured on-axis in open (4pi) space at 2 metres, then referred to 1 metre.
- (6) Measured in open (4pi) space at 2 metres with 1 watt input, using band limited pink noise, then referred to 1 metre.
- (7) Measured in open (4pi) space at 2 metres using band limited pink noise, then referred to 1 metre.
- (8) Measured in open (4pi) space at 2 metres with 2.83v input, using band limited pink noise, then referred to 1 metre.
- (9) Calculated at 1 metre.
- (10) Measured in half (2pi) space at 2 metres with 2.83V input, using band limited pink noise, then referred to 1 metre.



S.12

Martin Audio Ltd
Century Point, Halifax Road, High Wycombe
Buckinghamshire HP12 3SL, England

Telephone: +44 (0) 1494 535 312
Facsimile: +44 (0) 1494 438 669
Email: info@martin-audio.com

