

S.15

High Power, Two-way Passive System

S
S•SERIES

Features

- Full-range, passive two-way system
- KTV specific voicing
- Enhanced bass response from rear port
- LF driver with demodulating ring for distortion-free vocals
- User-rotatable horn
- Vertical and horizontal mounting option
- Cloth-backed perforated steel grille
- Trapezoid enclosure with textured finish
- 8Ω nominal impedance
- Internal crossover network with LF and HF driver protection
- Twin NL4 connectors
- Multiple M8 rigging inserts

Applications

- Family KTV, BOX KTV and KTV lounges
- Music bars



The S.15 is a high-power, passive two-way system designed for family KTV, KTV lounges and music bars that require performance and output from a single enclosure.

It features a powerful 15" (380mm)/3" (75mm) voice coil LF drive unit, and a 1" (25mm) exit HF compression driver with a 1.75" (44mm) polyimide diaphragm for extended high frequency response. Its 80° x 50° coverage pattern is ideal for medium-throw applications, and it delivers superior vocal performance at very high sound levels without harshness. Twin rear ports couple with adjacent walls and ceiling to enhance low frequency output and extension.

The enclosure of the S.15 is constructed from 18mm engineered wood fibre and finished in black textured paint. A cloth-backed protective steel grille protects the drivers, and M8 inserts are provided for eyebolt suspension and installation.

S.15

High Power, Two-way Passive System



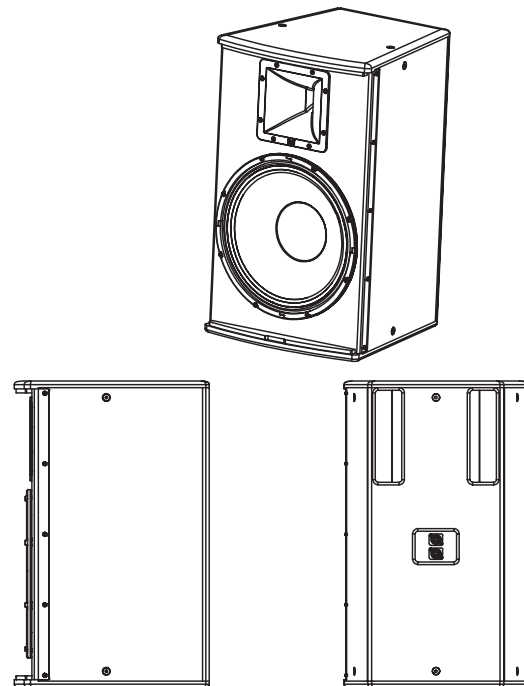
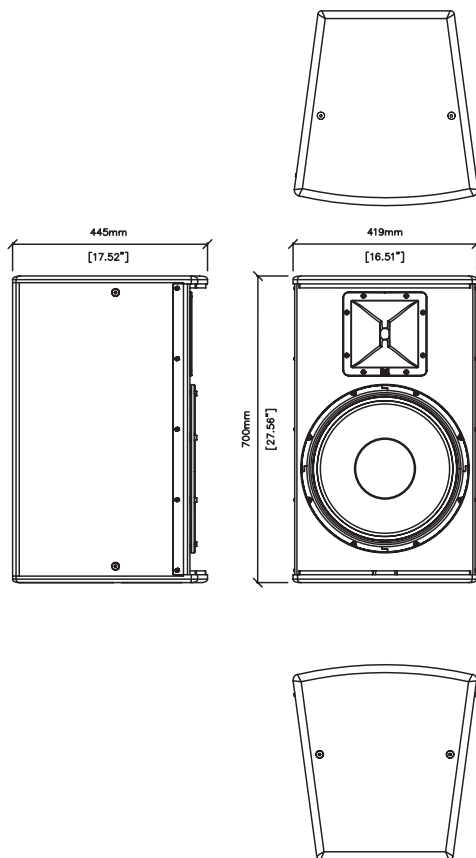
S•SERIES

Technical Specifications

TYPE	High-power, passive two-way system
FREQUENCY RESPONSE (1)	56Hz-20kHz \pm 3dB -10dB @ 40Hz
DRIVERS	LF: 15" (380mm)/3" (75mm) voice coil, ferrite motor system HF: 1" (25mm) exit/1.7" (44mm) voice coil, polyimide dome compression driver
RATED POWER (2)	1000W program, 2000W peak
RECOMMENDED AMP	VIA5002
SENSITIVITY (8)	100dB
MAXIMUM SPL (9)	129dB program, 132dB peak
NOMINAL IMPEDANCE	8 ohms
DISPERSION (-6dB)	80° H x 50° V (user-rotatable)
CROSSOVER	2.3kHz passive
ENCLOSURE	Trapezoid
FINISH	Black textured paint
PROTECTIVE GRILLE	Black perforated steel with scrim cloth backing
CONNECTORS	2 x NL4 type
PIN CONNECTIONS (INPUT)	1+/-
PIN CONNECTIONS (LINK)	1+/- to 1+/-
FITTINGS	10 x M8 inserts
DIMENSIONS	(W) 419mm x (H) 700mm x (D) 445mm (W) 16.5ins x (H) 27.6ins x (D) 17.5ins
WEIGHT	31kg (68.3lbs)

Notes

- (1) Measured on-axis in half (2pi) space at 2 metres, then referred to 1 metre.
- (2) AES Standard ANSI S4.26-1984.
- (3) Measured in half (2pi) space at 2 metres with 1 watt input, using band limited pink noise, then referred to 1 metre.
- (4) Measured in half (2pi) space at 2 metres using band limited pink noise, then referred to 1 metre.
- (5) Measured on-axis in open (4pi) space at 2 metres, then referred to 1 metre.
- (6) Measured in open (4pi) space at 2 metres with 1 watt input, using band limited pink noise, then referred to 1 metre.
- (7) Measured in open (4pi) space at 2 metres using band limited pink noise, then referred to 1 metre.
- (8) Measured in open (4pi) space at 2 metres with 2.83v input, using band limited pink noise, then referred to 1 metre.
- (9) Calculated at 1 metre.
- (10) Measured in half (2pi) space at 2 metres with 2.83V input, using band limited pink noise, then referred to 1 metre.



S.15

Martin Audio Ltd
Century Point, Halifax Road, High Wycombe
Buckinghamshire HP12 3SL, England

Telephone: +44 (0) 1494 535 312
Facsimile: +44 (0) 1494 438 669
Email: info@martin-audio.com

