

# AM10

Full-range weatherised enclosure

## features

- ▶ Compact two-way passive system
- ▶ Textured high-density polyurethane coating both internal and external
- ▶ User rotatable 90° x 50° horn
- ▶ High power output
- ▶ Five year limited warranty

## applications

- ▶ Sports Stadia
- ▶ Arenas
- ▶ Exhibition halls



The AM10 is a 2-way passive enclosure that has been specifically designed for applications such as stadiums and arenas where high SPL and weather resistance are of prime importance. The AM10 has a 300 watt 10" (250mm) direct radiating reflex loaded low frequency transducer with a waterproof cone coupled with a 1" (25mm) exit HF compression driver mounted on a rotatable 90° horizontal x 50° vertical constant directivity horn. The enclosure is of a vertical trapezoid design and horizontally formatted to reduce sightline obstruction. The AM10 is finished, both internally and externally, in a textured, high-density polyurethane coating. It is supplied with a protective grille that is heavy galvanised and powder-coated and fitted with an integral water barrier to ensure product reliability over many years.

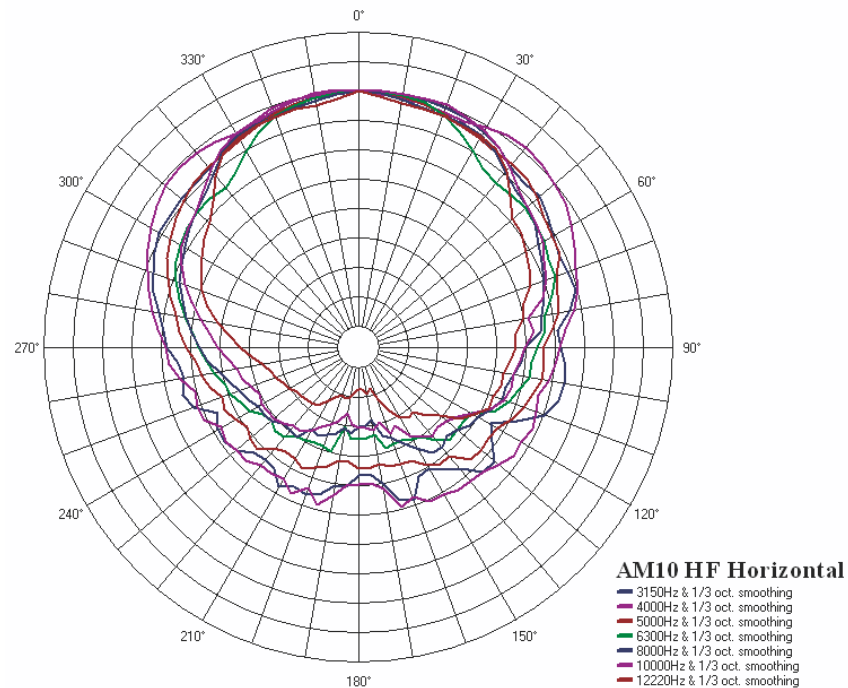
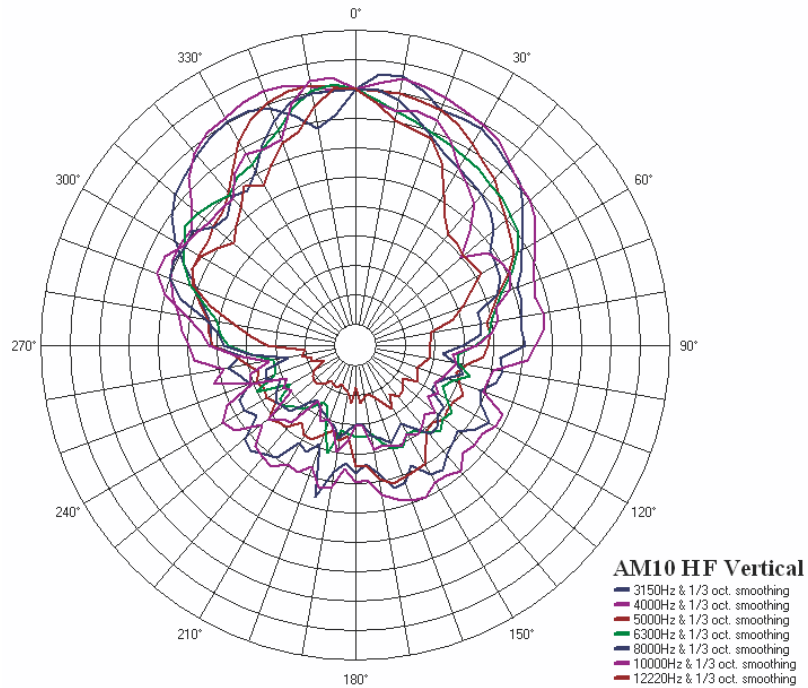
Connection to the AM10 is via a flying lead secured through a waterproof gland and all internal metalwork is galvanised. The AM10 has twelve 10mm threaded inserts fitted with copper coated and blacked steel bolts, to facilitate easy installation. The AM10 is fitted with a passive crossover network and is also available with an optional 150 watt or 30 watt 100/70 volt line transformer. Tapping adjustments are made via spade terminals, which are accessed through a removable rear panel.

# AM10

Full-range weatherised enclosure

polar plots

architectural



Century Point, Halifax Road, Cressex Business Park,  
High Wycombe, Buckinghamshire HP12 3SL, England.  
Telephone: +44 (0)1494 535312 Facsimile: +44 (0)1494 438669  
E-mail: [info@martin-audio.com](mailto:info@martin-audio.com)  
All information is Copyright © 2003 Martin Audio Ltd.



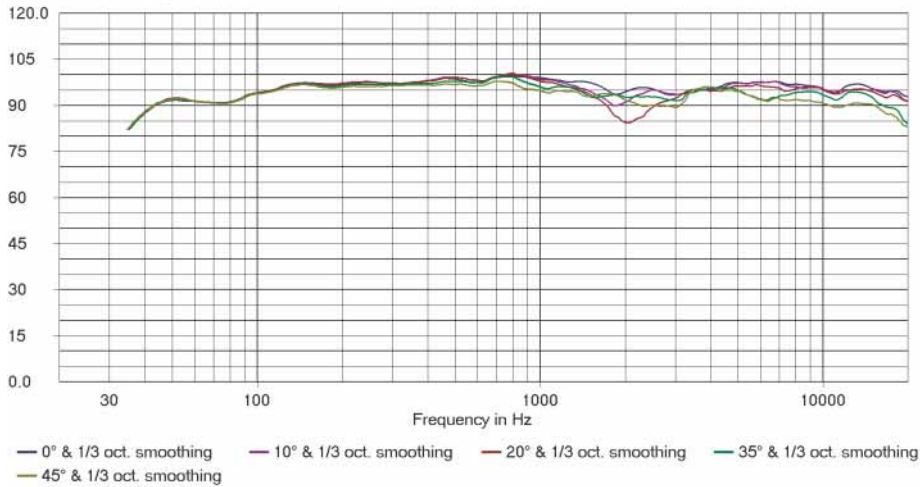
# AM10

Full-range weatherised enclosure

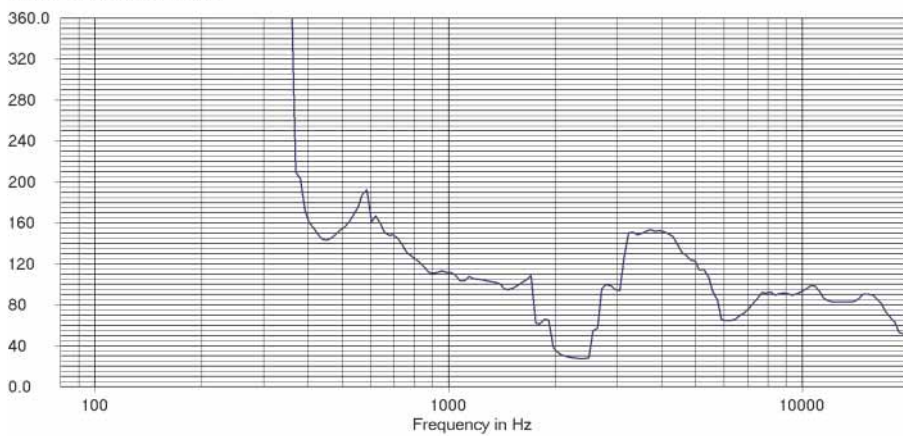
frequency responses

architectural

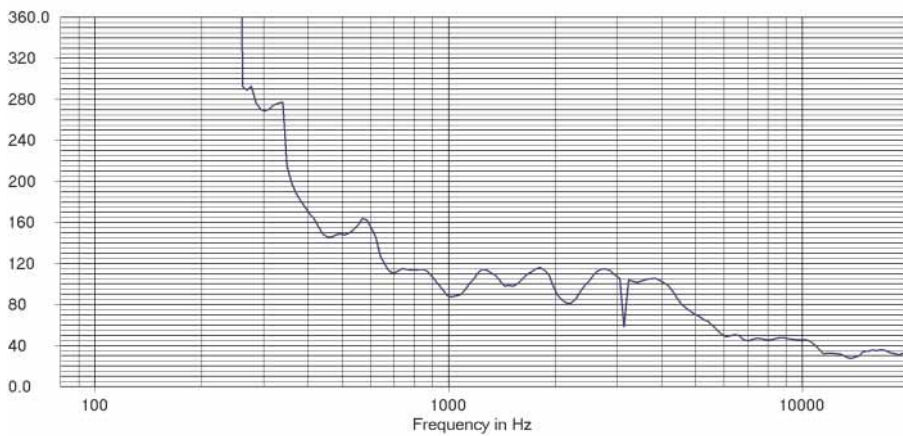
AM10 Horizontal Magnitude in dB SPL/2.83V at 1 meter



AM10 Horizontal Beamwidth



AM10 Vertical Beamwidth



Century Point, Halifax Road, Cressex Business Park,  
High Wycombe, Buckinghamshire HP12 3SL, England.  
Telephone: +44 (0)1494 535312 Facsimile: +44 (0)1494 438669  
E-mail: [info@martin-audio.com](mailto:info@martin-audio.com)  
All information is Copyright © 2003 Martin Audio Ltd.

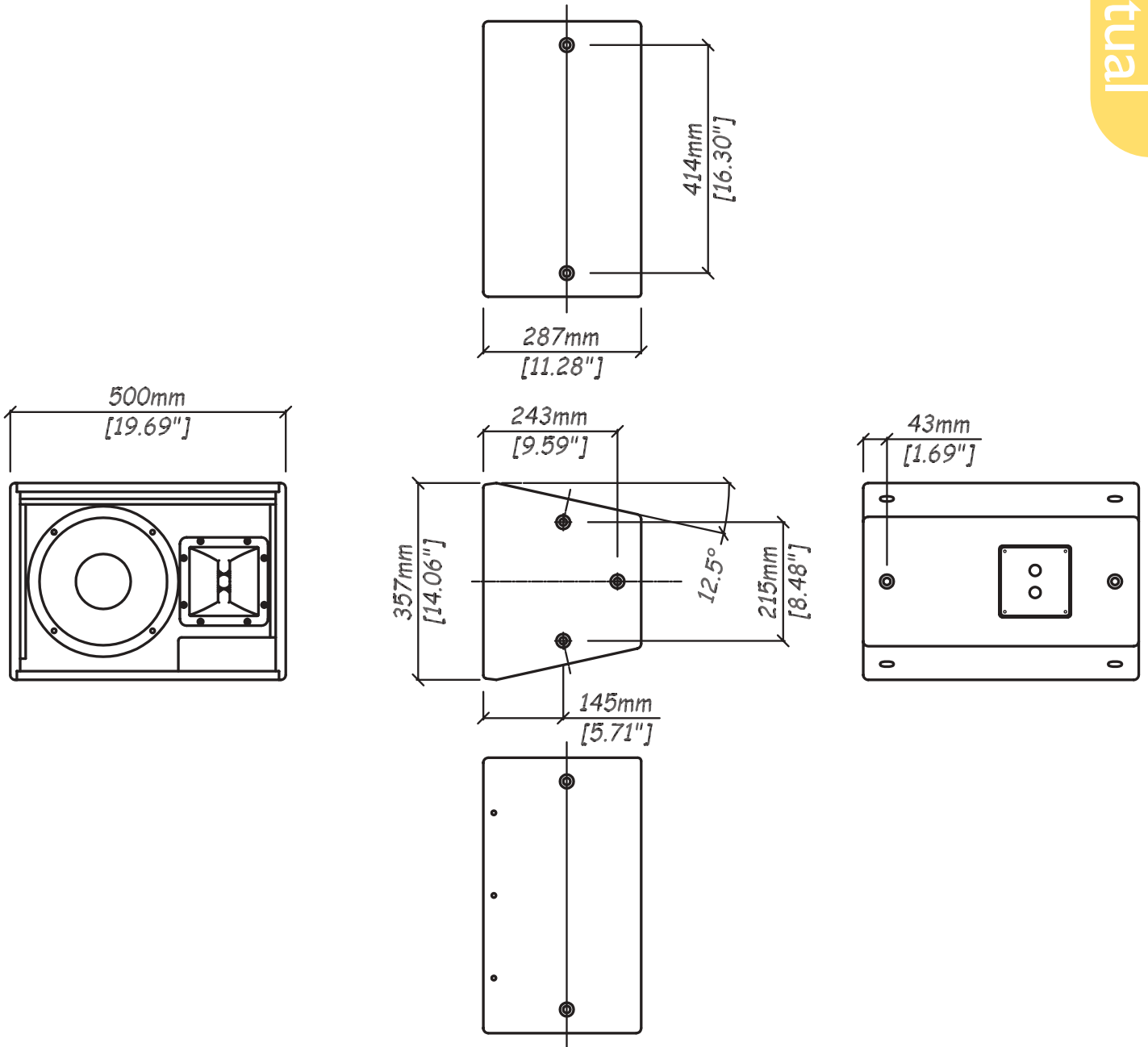


# AM10

Full-range weatherised enclosure

overall dimensions

architectural



AM10

Century Point, Halifax Road, Cressex Business Park,  
High Wycombe, Buckinghamshire HP12 3SL, England.  
Telephone: +44 (0)1494 535312 Facsimile: +44 (0)1494 438669  
E-mail: [info@martin-audio.com](mailto:info@martin-audio.com)  
All information is Copyright © 2003 Martin Audio Ltd.



# AM10

Full-range weatherised enclosure

## technical specifications

TYPE	Compact, two-way passive trapezoid
FREQUENCY RESPONSE (1)	65Hz-20kHz $\pm$ 3dB
DRIVERS	10" (250mm) bass driver with waterproof cone 1" (25mm) exit compression driver
RATED POWER (2)	300W AES, 1200W peak
SENSITIVITY (3)	96dB
MAXIMUM SPL (4)	119dB continuous, 125dB peak
NOMINAL IMPEDANCE	8 ohms
DISPERSION (-6dB)	90° horizontal, 50° vertical
CROSSOVER	2kHz passive
ENCLOSURE	23 litre (0.8 cu foot) vented Multi laminate birch ply
FINISH	Textured high-density polyurethane coating applied externally and internally
PROTECTIVE GRILLE	18 gauge punched steel, heavy galvanised and polyester-coated, with integral water barrier
CONNECTORS	3m flying lead, with loop-out option
FITTINGS	12 x M10 threaded inserts
OPTIONS	30W or 150W line transformer (100/70V option)
DIMENSIONS	(W) 500mm x (H) 357mm x (D) 286mm (W) 19.7ins x (H) 14.1ins x (D) 11.3ins
WEIGHT	18kg (39.7lbs) 20.5kg (45.2lbs) with 150W line transformer fitted

### Notes

- (1) Measured on-axis in half space at 2 metres, then referred to 1 metre.
- (2) AES Standard ANSI S4.26-1984.
- (3) Measured in half space conditions at 2 metres with 1 watt input, using band limited pink noise, then referred to 1 metre.
- (4) Measured in half space conditions at 2 metres using band limited pink noise, then referred to 1 metre.

### Trade Descriptions Act

Due to Martin Audio's policy of continuing improvement, we reserve the right to alter these specifications without prior notice. Martin Audio is committed to refining state of the art sound reinforcement, combining in-depth product and field applications research with advanced manufacturing techniques. Every Martin Audio product is built to the highest manufacturing standards and rigorously tested to ensure that it meets the performance criteria specified in the design.

## architectural and engineering specifications

The loudspeaker system shall be of the two-way passive type consisting of one 10" (250mm) direct radiating reflex loaded low frequency transducer with a waterproof cone and one 1" (25mm) exit HF compression driver mounted on a user rotatable constant directivity horn. The enclosure shall be of a multi-laminate birch ply construction finished both internally and externally with a textured, high-density polyurethane coating. A protective grille shall be fitted consisting of 18 gauge punched steel, heavy galvanised and powder coated, backed with an integral water barrier. Low and high frequency sections shall be integrated by an internal 2kHz passive crossover network.

Performance of the loudspeaker system with its electronic controller shall meet or exceed the following criteria:

Frequency response measured 1 metre on axis shall be 65Hz-20kHz  $\pm$  3dB.

High frequency dispersion at -6dB points shall be 90°H x 50°V.

Power handling shall be 300W AES, 1200W peak.

Rated impedance shall be 8 ohms.

Maximum SPL measured at 1 metre on axis shall be 119dB continuous, 125dB peak.

Dimensions (W) 500mm x (H) 357mm x (D) 287mm (19.7ins x 14.1ins x 11.3ins).

Weight 18kg (39.7lbs).

The loudspeaker system shall be the Martin Audio AM10.

Century Point, Halifax Road, Cressex Business Park,  
High Wycombe, Buckinghamshire HP12 3SL, England.  
Telephone: +44 (0)1494 535312 Facsimile: +44 (0)1494 438669  
E-mail: [info@martin-audio.com](mailto:info@martin-audio.com)  
All information is Copyright © 2003 Martin Audio Ltd.

