

Blackline S15⁺

Compact, vented sub-bass system

features

- ▶ Compact vented sub-bass
- ▶ Direct radiating 15" (380mm) driver
- ▶ High temperature 4" (100mm) voice coil
- ▶ Top hat fitting for pole mounting F12⁺/F15⁺
- ▶ Five year limited warranty

applications

- ▶ Club sound reinforcement
- ▶ Theatre sub-bass
- ▶ AV presentations



professional

The compact **Blackline S15⁺** sub-bass system has been designed to be used with Blackline F12⁺ or F15⁺ full-range systems to extend and increase the total low frequency output power. The S15⁺ provides good bass punch from a new, long-excursion, 15" (380mm)/4" (100mm) voice coil driver with a water resistant cone and triple roll surround.

The S15⁺ features substantial birch ply construction and large area porting to reduce air noise. It can operate in passive add-on mode using its internal switchable passive network or may be used actively with an M3⁺ or DX1.5 controller. In the active configuration, the controller will provide crossover, EQ and limiter functions for the S15⁺ and F10⁺/F12⁺ combination.

The S15⁺ is provided with a top hat fitting that can be used to pole mount an F10⁺ or F12⁺ above the enclosure.

Century Point, Halifax Road, Cressex Business Park,
High Wycombe, Buckinghamshire HP12 3SL, England.
Telephone: +44 (0)1494 535312 Facsimile: +44 (0)1494 438669
E-mail: info@martin-audio.com
All information is Copyright © 2013 Martin Audio Ltd.

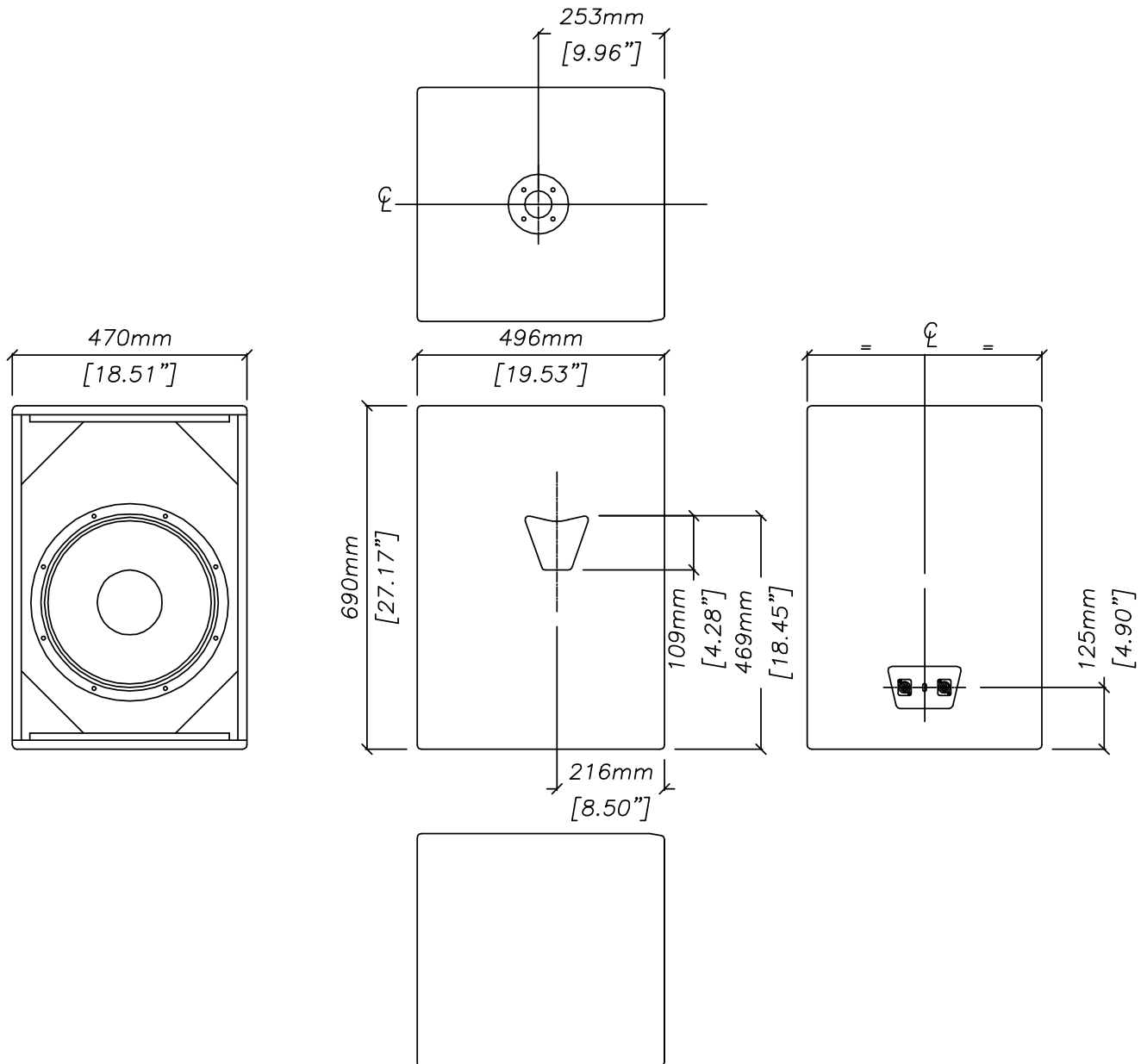


Blackline S15⁺

Compact, vented sub-bass system

overall dimensions

professional



All information is Copyright © 2007 Martin Audio Ltd.

S15+

Century Point, Halifax Road, Cressex Business Park,
High Wycombe, Buckinghamshire HP12 3SL, England.
Telephone: +44 (0)1494 535312 Facsimile: +44 (0)1494 438669
E-mail: info@martin-audio.com
All information is Copyright © 2013 Martin Audio Ltd.



Blackline S15⁺

Compact, vented sub-bass system

professional

technical specifications

TYPE	Compact, vented sub-bass system
FREQUENCY RESPONSE (1)	45Hz-120Hz ± 3dB -10dB @ 40Hz
DRIVERS	15" (380mm)/4" (100mm) voice coil LF driver
RATED POWER (2)	750W AES, 3000W peak
RECOMMENDED AMPLIFIER	MA9.6K
SENSITIVITY (3)	101dB (half space)
MAXIMUM SPL (9)	129.5dB continuous, 135.5dB peak (half space)
NOMINAL IMPEDANCE	8 ohms
DISPERSION (-6dB)	
CROSSOVER	120Hz active/passive low pass filter
ENCLOSURE	100 litre, multi-laminate birch ply
FINISH	Textured black paint
PROTECTIVE GRILLE	Black perforated steel
CONNECTORS	2 x Neutrik NL4
PIN CONNECTIONS	LF+, - : 1+, 1-, Link thro': 2+, 2-
FITTINGS	1 x mounting pole socket 2 x pocket handles
DIMENSIONS	(W) 470mm x (H) 690mm x (D) 496mm (W) 18.5ins x (H) 27.2ins x (D) 19.5ins
WEIGHT	38.5kg (84.5lbs)

architectural and engineering specifications

The loudspeaker system shall be of the compact sub-bass type consisting of one 15" (380mm)/4" (100mm) voice coil direct radiating reflex loaded low frequency transducer in a multi-laminate birch ply enclosure. The enclosure shall be fitted with an integral pole mount and a switchable active/passive internal 120Hz low pass filter network.

Performance of the loudspeaker system with its electronic controller shall meet or exceed the following criteria:

Frequency response measured 1 metre on axis shall be 45Hz-120Hz ± 3dB.

Power handling shall be 750W AES, 3000W peak.

Rated impedance shall be 8 ohms.

Maximum SPL calculated at 1 metre on axis shall be 129.5dB continuous, 135.5dB peak (half space).

Dimensions (W) 470mm x (H) 690mm x (D) 496mm (18.5ins x 27.2ins x 19.5ins).

Weight 38.5kg (84.5lbs).

The loudspeaker system shall be the Martin Audio S15⁺.

Notes

- (1) Measured on-axis in half space at 2 metres, then referred to 1 metre.
- (2) AES Standard ANSI S4.26-1984.
- (3) Measured in half space at 2 metres with 1 watt input, using band limited pink noise, then referred to 1 metre.
- (4) Measured in half space at 2 metres using band limited pink noise, then referred to 1 metre.
- (5) Measured on-axis in open (4π) space at 2 metres, then referred to 1 metre.
- (6) Measured in open (4π) space at 2 metres with 1 watt input, using band limited pink noise, then referred to 1 metre.
- (7) Measured in open (4π) space at 2 metres using band limited pink noise, then referred to 1 metre.
- (8) Measured in open (4π) space at 2 metres with 2.83V input, using band limited pink noise, then referred to 1 metre.
- (9) Calculated at 1 metre.

Trade Descriptions Act

Due to Martin Audio's policy of continuing improvement, we reserve the right to alter these specifications without prior notice. Martin Audio is committed to refining state of the art sound reinforcement, combining in-depth product and field applications research with advanced manufacturing techniques. Every Martin Audio product is built to the highest manufacturing standards and rigorously tested to ensure that it meets the performance criteria specified in the design.

Century Point, Halifax Road, Cressex Business Park,
High Wycombe, Buckinghamshire HP12 3SL, England.
Telephone: +44 (0)1494 535312 Facsimile: +44 (0)1494 438669
E-mail: info@martin-audio.com
All information is Copyright © 2013 Martin Audio Ltd.

